



Part Number L4K-712-114-24-HDR

Lens Name Falcon

Description

Falcon is a compact, lightweight, HDR wide angle lens designed for use with a 12-16 Megapixel 1" format cameras with a 2.4um pixel pitch.

Key Features

- All glass construction
- IP67 sealed
- F- Θ Distortion
- Telecentric
- Athermal operation
- Superior stray light rejection
- Optimized for HDR imaging applications
- Survival temperature range -40C to +70C
- Operating temperature range -20C to +50C

Applications

- Autonomous vehicles
- Enterprise drones
- Security
- Surveillance

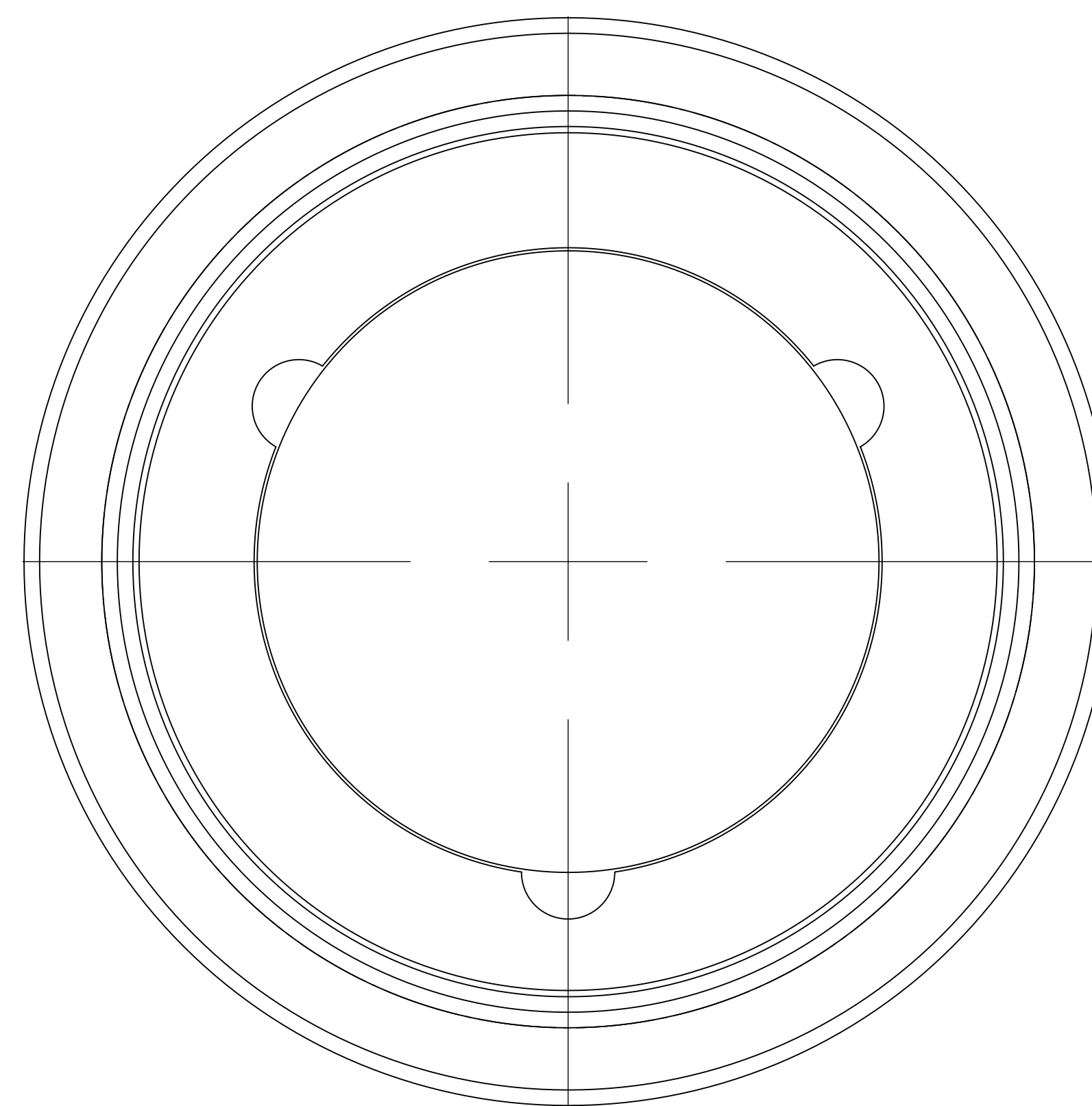
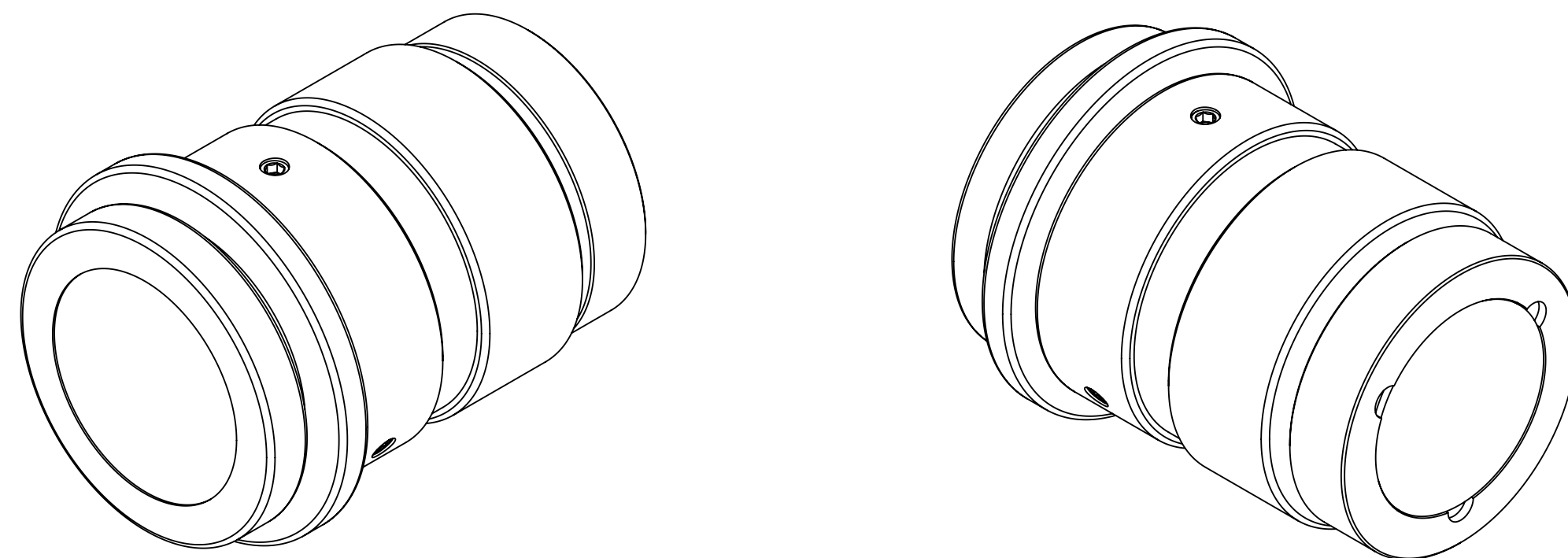
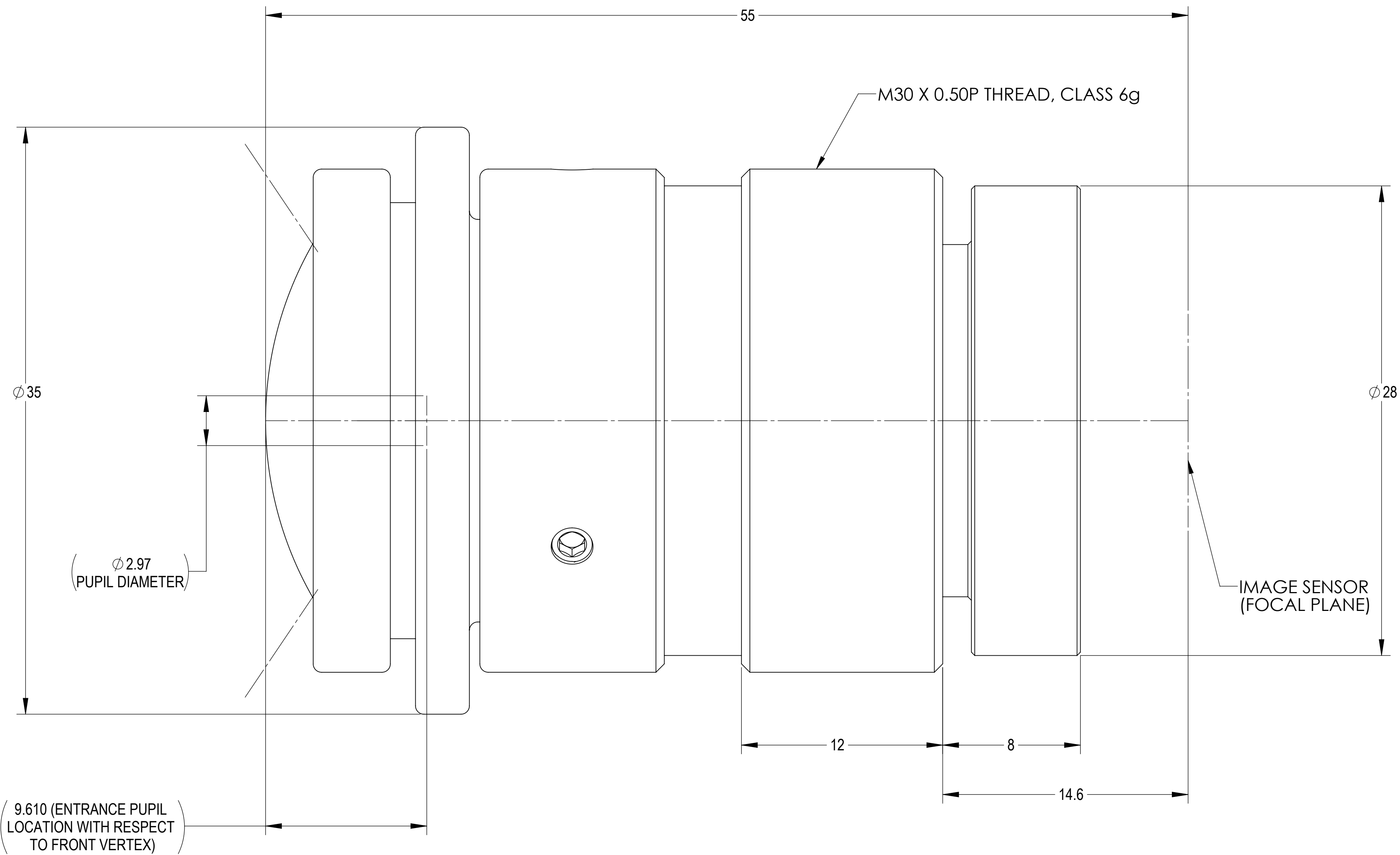
Optical Specifications

Imager Format	1" (4K compatible)
Focal Length (mm)	7.1 mm
F/#	2.4
TTL	55.0 mm
Image Circle (nominal)	16.0 mm
Field of View	112.0° diagonal
F-Θ Distortion	<0.5%
Relative Illumination	>85%
MTF	Contact Navitar Sales
Resolution	On-axis: > 200 lp/mm S&T Field Edge: > 140lp/mm S&T
Chief Ray Angle	< 4° at 8.0mm image circle
IR Filter	Included
Stray light rejection	< 1E10-4 (In-field) < 1E10-5 (Out-of-field)
Focus stability	Athermal

NOTES: UNLESS OTHERWISE SPECIFIED

1) DIMENSIONS AND TOLERANCES PER ANSI Y14.5M-1994

2) ALL DIMENSIONS ARE IN MILLIMETERS.



NOTICE:

THE DATA IN THIS DOCUMENT INCORPORATES THE PROPRIETARY RIGHTS OF HYPERION DEVELOPMENT, LLC. ANY PARTY ACCEPTING THIS DOCUMENT DOES SO IN CONFIDENCE PER THE TERMS OF THE HYPERION DEVELOPMENT NON-DISCLOSURE AGREEMENT AND AGREES THAT IT SHALL NOT BE DUPLICATED IN WHOLE OR IN PART, NOT DISCLOSED TO OTHERS PER THE TERMS OF THE NON-DISCLOSURE AGREEMENT.

UNLESS OTHERWISE SPECIFIED: DIMENSIONS ARE IN MILLIMETERS		NAME		DATE		Hyperion Development, LLC. 2420 Camino Ramon, Suite 230 San Ramon, CA 94583	
SURFACE FINISH: X.X ± .13 XXX ± .025 XXX ± .013		DEBUR AND BREAK SHARP EDGES		DRAWN	A.G.	10/26/14	
ANGULAR: ± 0.5°		INTERPRET GEOMETRIC TOLERANCING PER:		CHECKED		TITLE: PROJECT FALCON	
MATERIAL		SEE NOTES		ENG APPR.		SIZE DWG. NO. D 100027	
NEXT ASSY		USED ON		MFG APPR.		REV D	
APPLICATION		DO NOT SCALE DRAWING		Q.A.		SCALE: 1:1 WEIGHT: SHEET 1 OF 4	

D 100027