



US010908396B2

(12) **United States Patent**
Hudyma et al.

(10) **Patent No.:** **US 10,908,396 B2**
(45) **Date of Patent:** **Feb. 2, 2021**

(54) **OPTICAL ASSEMBLY FOR A WIDE FIELD OF VIEW CAMERA WITH LOW TV DISTORTION**

(71) Applicant: **Navitar Industries, LLC**, Rochester, NY (US)

(72) Inventors: **Russell Hudyma**, San Ramon, CA (US); **Michael Thomas**, Woburn, MA (US)

(73) Assignee: **Navitar Industries, LLC**, Rochester, NY (US)

(*) Notice: Subject to any disclaimer, the term of this patent is extended or adjusted under 35 U.S.C. 154(b) by 143 days.

(21) Appl. No.: **16/200,618**

(22) Filed: **Nov. 26, 2018**

(65) **Prior Publication Data**
US 2019/0179115 A1 Jun. 13, 2019

Related U.S. Application Data
(60) Continuation of application No. 15/429,150, filed on Feb. 9, 2017, now Pat. No. 10,139,599, which is a (Continued)

(51) **Int. Cl.**
G02B 13/00 (2006.01)
G02B 27/00 (2006.01)
(Continued)

(52) **U.S. Cl.**
CPC **G02B 13/006** (2013.01); **G02B 5/208** (2013.01); **G02B 9/00** (2013.01); **G02B 9/60** (2013.01);
(Continued)

(58) **Field of Classification Search**
CPC .. G02B 5/208; G02B 13/006; G02B 13/0015; G02B 13/002; G02B 13/0045;
(Continued)

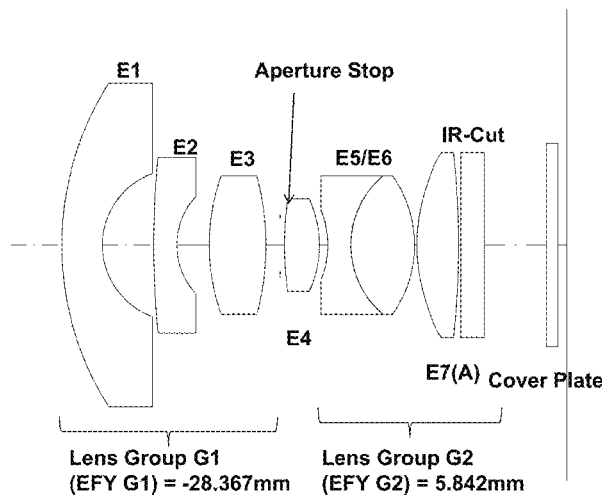
(56) **References Cited**
U.S. PATENT DOCUMENTS
3,953,111 A 4/1976 Fisher et al.
4,412,726 A * 11/1983 Horimoto G02B 13/06 359/723
(Continued)

OTHER PUBLICATIONS
Non-Final Rejection, dated Feb. 5, 2019, for U.S. Appl. No. 14/932,663, filed Nov. 4, 2015.
(Continued)

Primary Examiner — William R Alexander
(74) *Attorney, Agent, or Firm* — SF Bay Area Patents, LLC; Andrew V. Smith

(57) **ABSTRACT**
An optical assembly for a wide field of view digital camera includes, from object end to image end, first and second optical groups separated by an aperture stop. The optical assembly is configured to provide images with TV distortion that is less than 16. The first optical group includes two or more lens elements, including a first lens element having a largest diameter among the multiple lens elements to collect light at said wide field of view. The second optical group includes a doublet, which is configured to compensate for oblique aberrational error, and an aspheric lens element, which is configured to compensate for astigmatism error.

36 Claims, 28 Drawing Sheets



Physical metrics:
(TT)/(EFL) = 7.98 (glass)
(TT)/(EFL) = 7.79 (air)
(TT) = 21.8mm
(EFL) = 2.73mm
{EFY E1..E2} = -2.650mm
{EFY E3} = 6.336mm
{EFY E4..E7} = 5.842mm

Related U.S. Application Data

division of application No. 14/810,377, filed on Jul. 27, 2015, now Pat. No. 9,726,859, which is a continuation-in-part of application No. 14/215,056, filed on Mar. 16, 2014, now Pat. No. 9,091,843.

(51) **Int. Cl.**

G02B 9/62 (2006.01)
G02B 9/00 (2006.01)
G02B 9/60 (2006.01)
G02B 9/64 (2006.01)
G02B 13/06 (2006.01)
G02B 13/18 (2006.01)
G02B 5/20 (2006.01)

(52) **U.S. Cl.**

CPC **G02B 9/62** (2013.01); **G02B 9/64** (2013.01); **G02B 13/00** (2013.01); **G02B 13/002** (2013.01); **G02B 13/0015** (2013.01); **G02B 13/0045** (2013.01); **G02B 13/06** (2013.01); **G02B 13/18** (2013.01); **G02B 27/00** (2013.01); **G02B 27/0025** (2013.01)

(58) **Field of Classification Search**

CPC G02B 13/06; G02B 13/18; G02B 9/00; G02B 9/60; G02B 9/62; G02B 9/64; G02B 27/00; G02B 27/0025
 USPC 359/708, 751, 750
 See application file for complete search history.

(56)

References Cited

U.S. PATENT DOCUMENTS

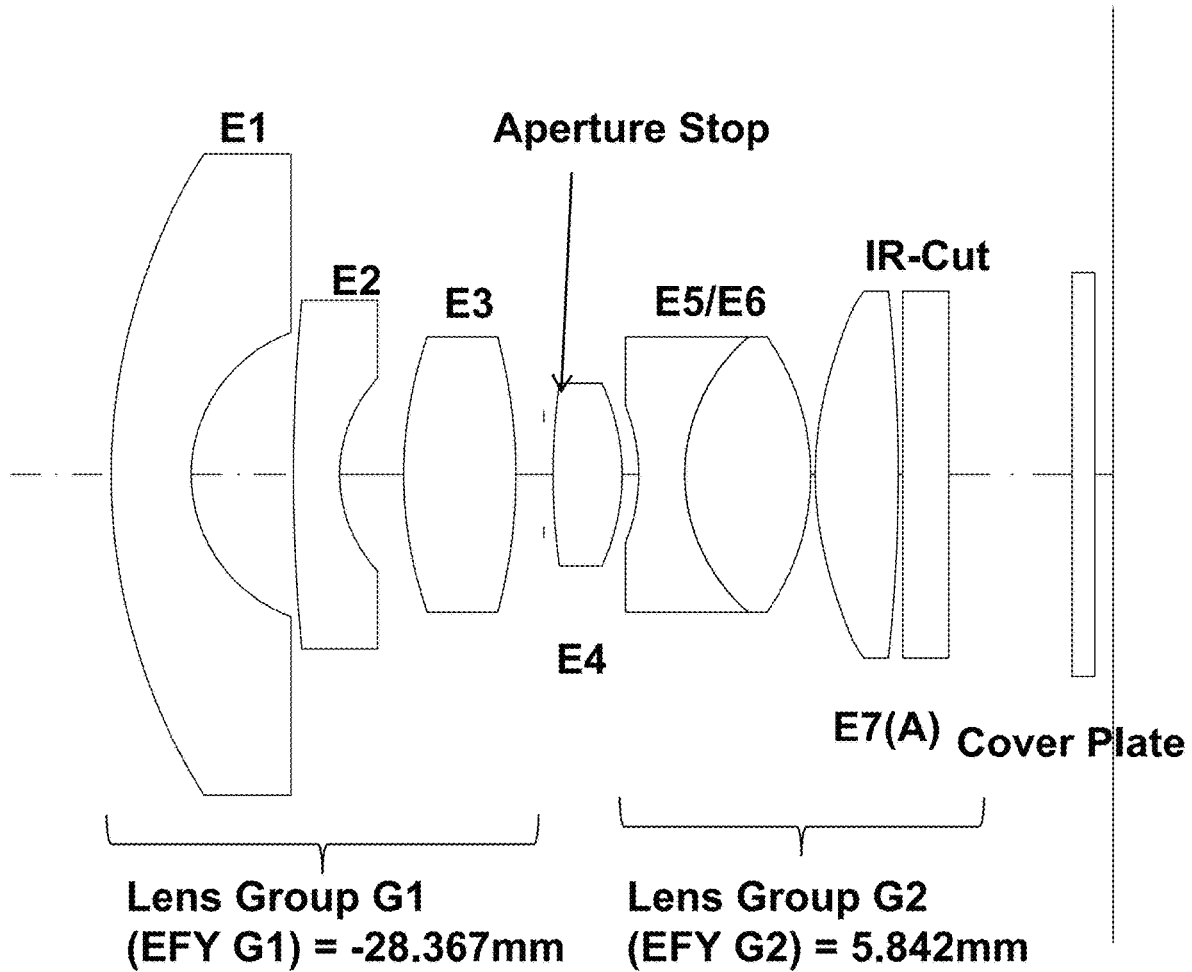
5,327,290 A 7/1994 Fukushima et al.
 5,546,232 A * 8/1996 Hirakawa G02B 15/177
 359/691
 5,552,937 A * 9/1996 Ono G02B 13/18
 359/680
 7,126,760 B2 10/2006 Yamada
 7,742,243 B2 * 6/2010 Lin G02B 13/16
 359/793
 7,944,620 B2 * 5/2011 Wang G02B 15/177
 359/682
 8,830,298 B2 9/2014 Abe et al.

8,873,167 B2 10/2014 Ning
 9,019,629 B2 4/2015 Wang et al.
 9,316,808 B1 4/2016 Hudyma et al.
 9,494,772 B1 11/2016 Hudyma et al.
 9,784,943 B1 10/2017 Hudyma et al.
 9,995,910 B1 6/2018 Hudyma et al.
 10,107,989 B1 10/2018 Hudyma et al.
 10,139,595 B1 11/2018 Hudyma et al.
 10,139,599 B1 11/2018 Hudyma et al.
 2008/0174887 A1 7/2008 Asami
 2009/0052055 A1 * 2/2009 Lin G02B 9/64
 359/717
 2009/0086340 A1 4/2009 Sato
 2012/0026285 A1 2/2012 Yoshida et al.
 2012/0056978 A1 * 3/2012 Abe G02B 13/06
 348/36
 2012/0147485 A1 6/2012 Kubota
 2013/0148006 A1 * 6/2013 Yoshinaga G02B 9/00
 348/345
 2013/0194681 A1 * 8/2013 Ohashi G02B 9/64
 359/738
 2013/0250160 A1 * 9/2013 Neil G02B 15/14
 348/345
 2014/0125858 A1 5/2014 Sugita
 2015/0125858 A1 5/2015 Park et al.
 2017/0059829 A1 3/2017 Marks et al.
 2019/0121094 A1 4/2019 Hudyma et al.

OTHER PUBLICATIONS

Notice of Allowance, dated Jan. 31, 2019, for U.S. Appl. No. 15/723,143, filed Oct. 2, 2017.
 Non-Final Rejection, dated Jan. 24, 2019, for U.S. Appl. No. 15/728,402, filed Oct. 9, 2017.
 Non-Final Rejection, dated May 9, 2019, for U.S. Appl. No. 16/200,632, filed Nov. 26, 2018.
 Hollows, Gregory, and Nicholas James. "Resolution—Edmund Optics." Edmund Optics Worldwide, Edmund Optics, Aug. 28, 2017, www.edmundoptics.com/resources/application-notes/imaging/resolution/.
 Non-Final Rejection, dated Dec. 28, 2017, for U.S. Appl. No. 14/932,748, filed Nov. 4, 2015.
 Final Rejection, dated Jul. 23, 2018, for U.S. Appl. No. 14/932,748, filed Nov. 4, 2015.
 Notice of Allowance, dated Apr. 10, 2019, for U.S. Appl. No. 14/932,748, filed Nov. 4, 2015.

* cited by examiner



Physical metrics:

(TT)/(EFL) = 7.98 (glass)

(TT)/(EFL) = 7.79 (air)

(TT) = 21.8mm

(EFL) = 2.73mm

(EFY E1..E2) = -2.650mm

(EFY E3) = 6.336mm

(EFY E4..E7) = 5.842mm

Figure 1

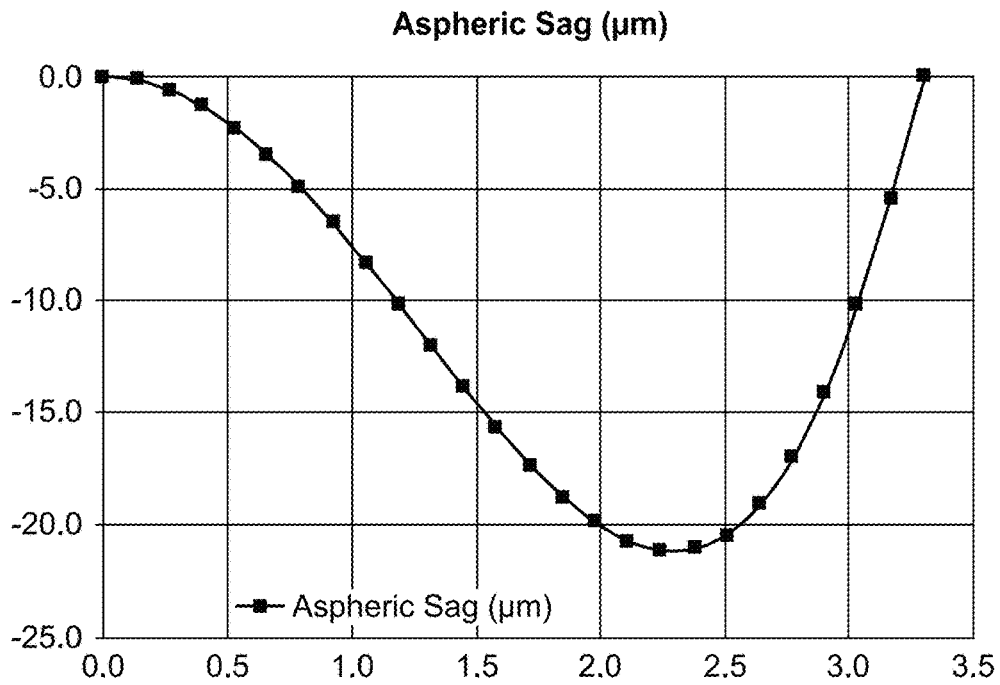


Figure 2

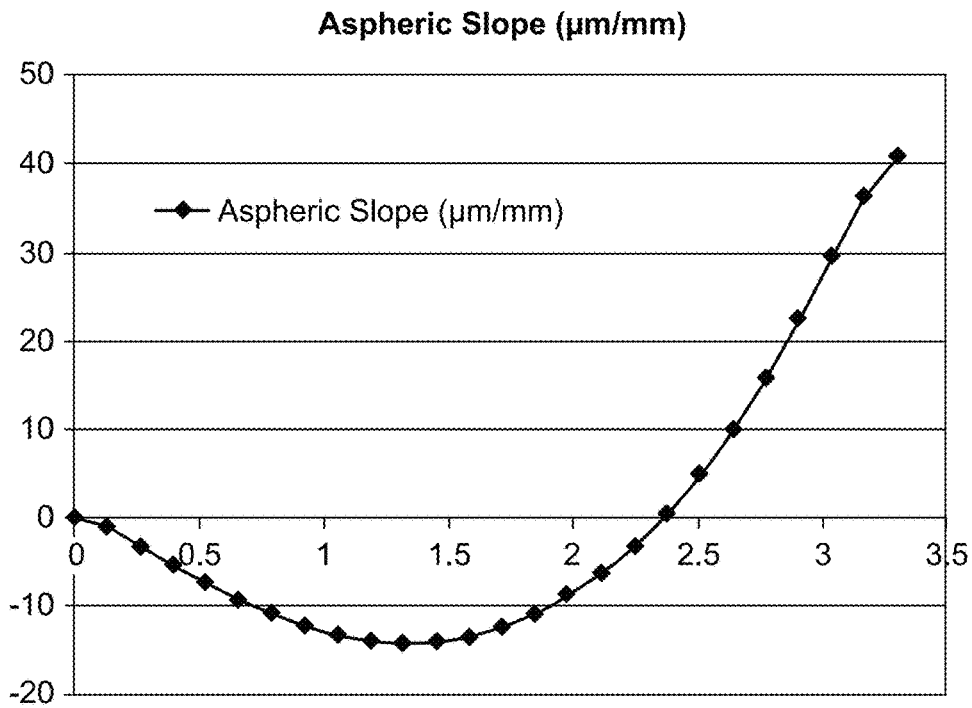
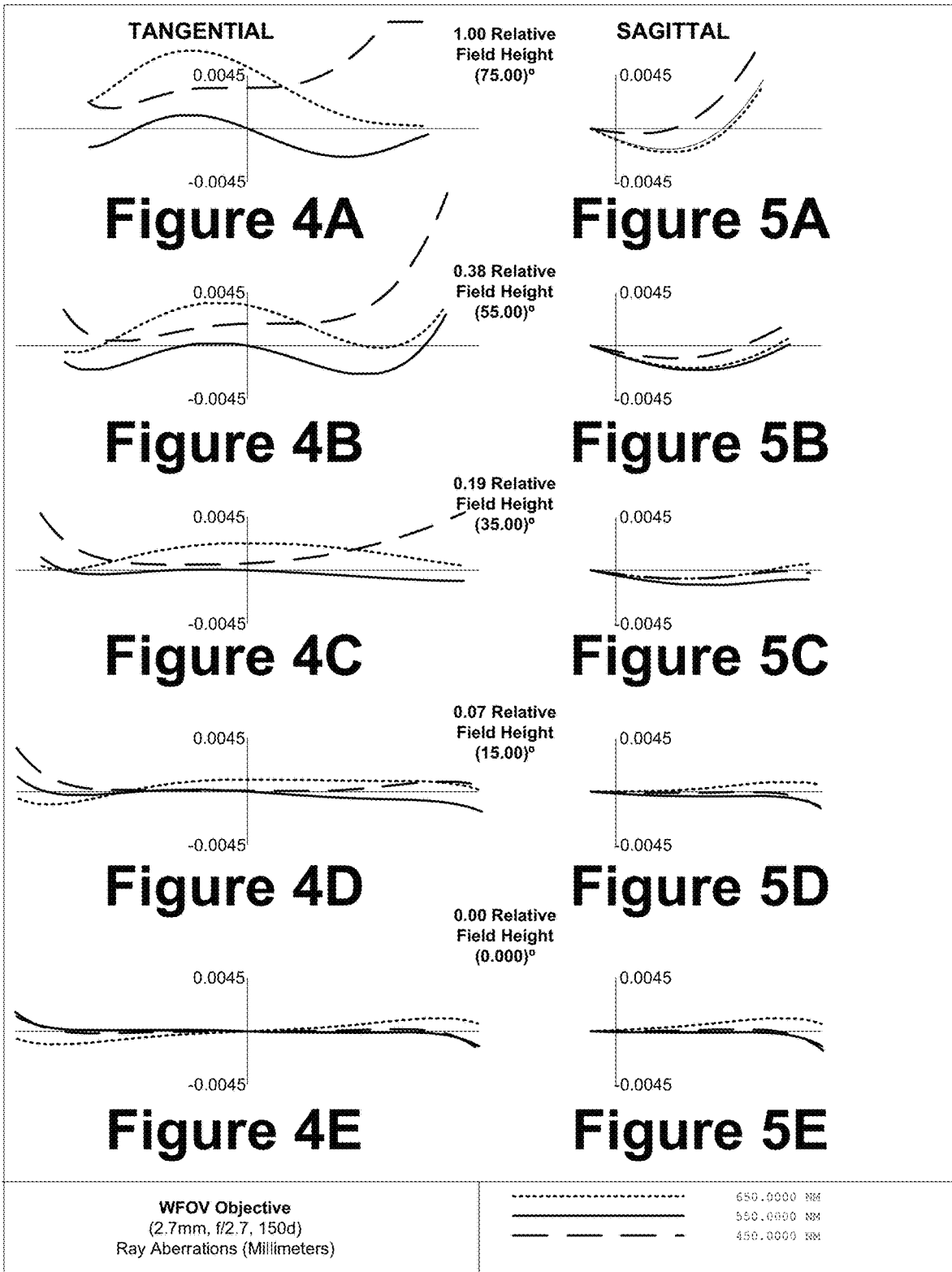


Figure 3



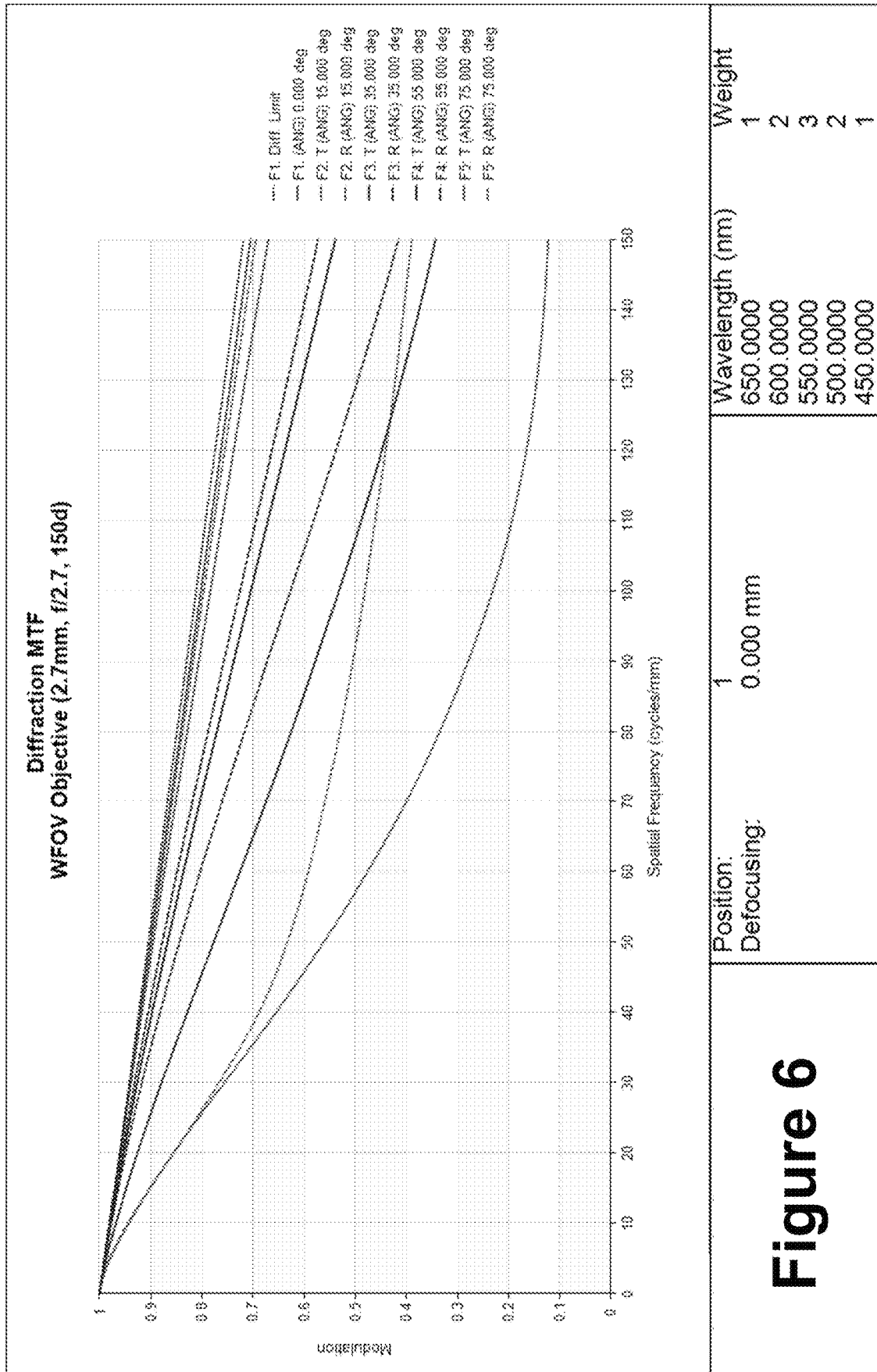


Figure 6

ASTIGMATIC FIELD CURVES

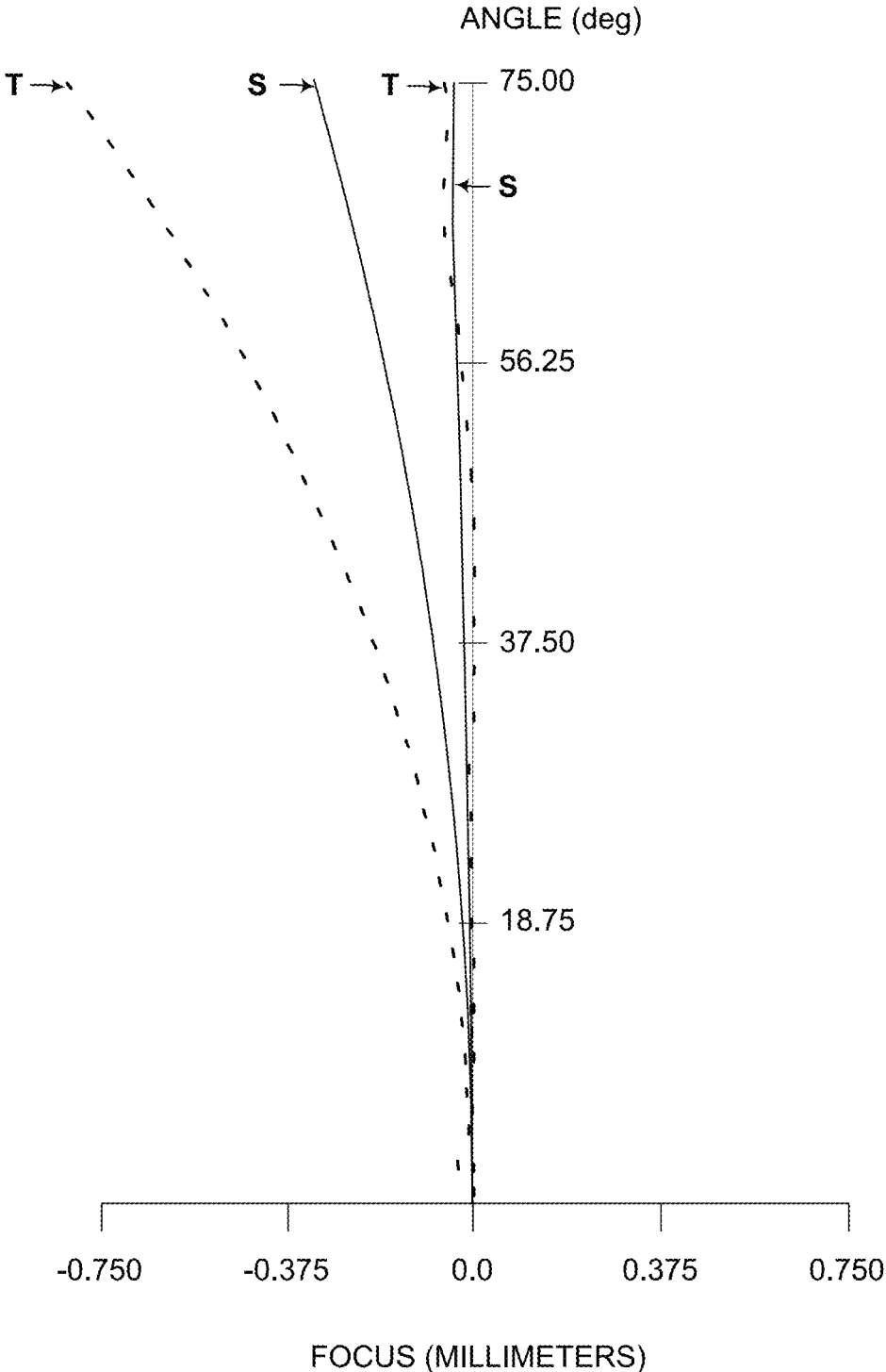
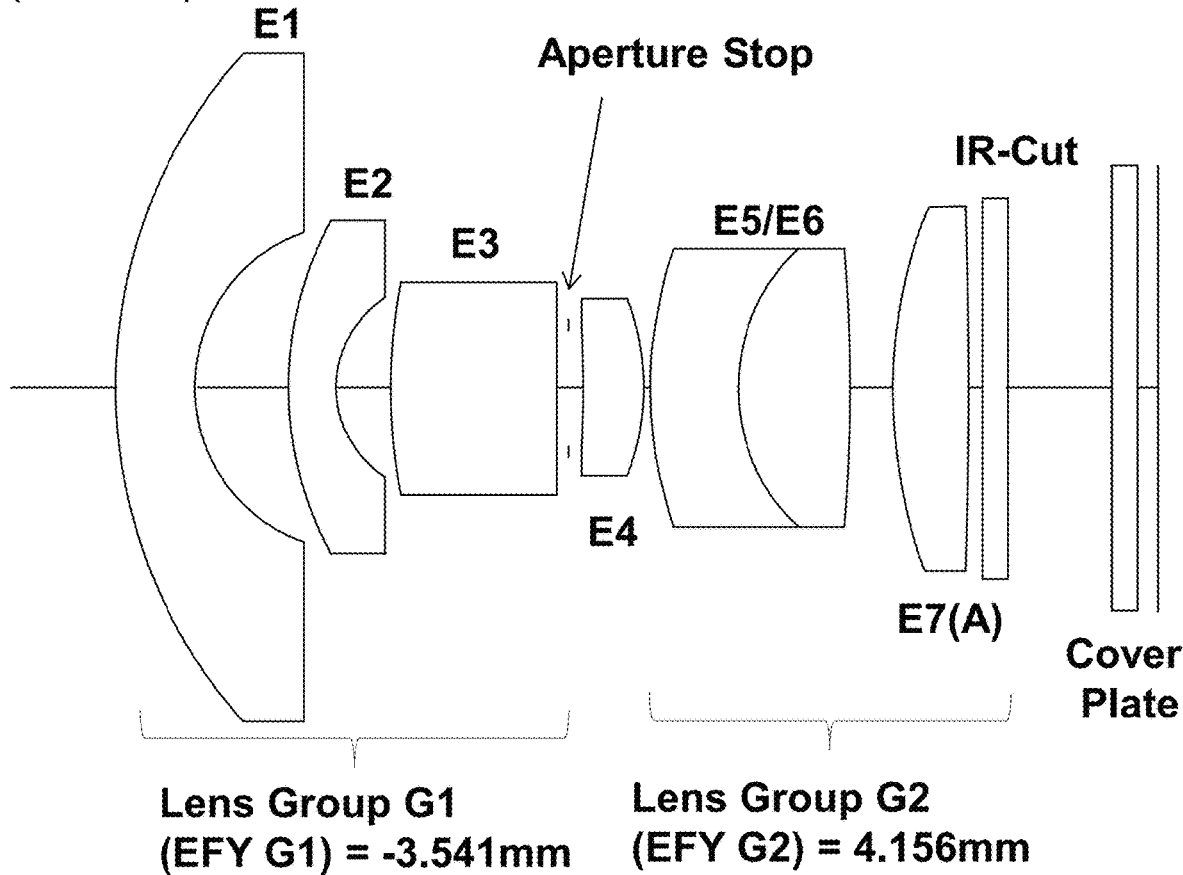


Figure 7

(EFY E1..E2) = -2.501mm
(EFY E3) = 13.776mm
(EFY E4..E7) = 4.156mm



Physical metrics:
(TT)/(EFL) = 7.43
(TT) = 20.3mm
(EFL) = 2.73mm

Figure 8

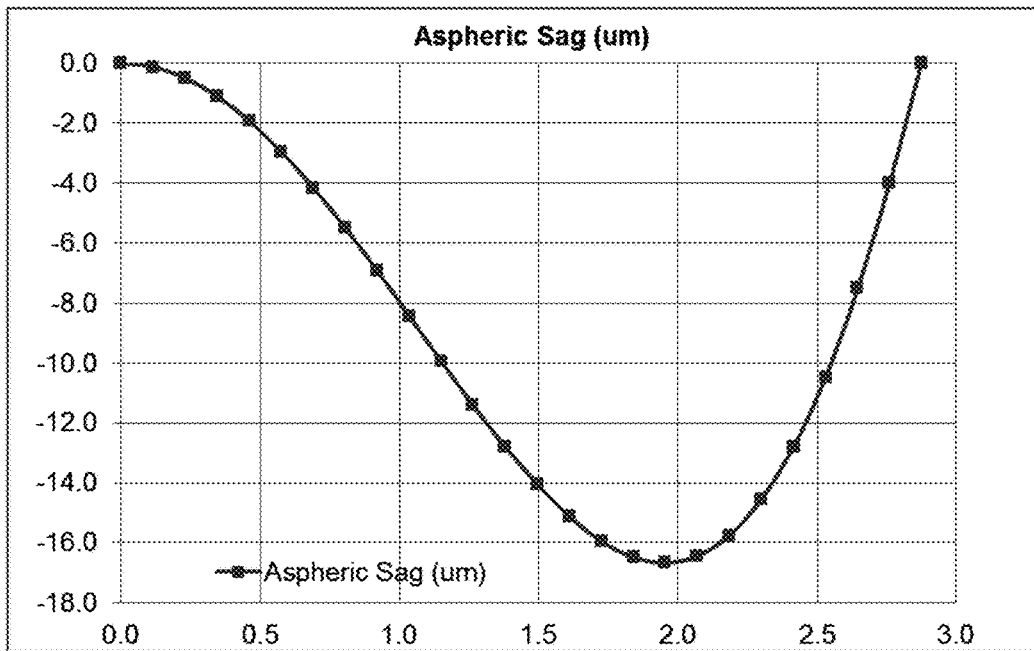


Figure 9

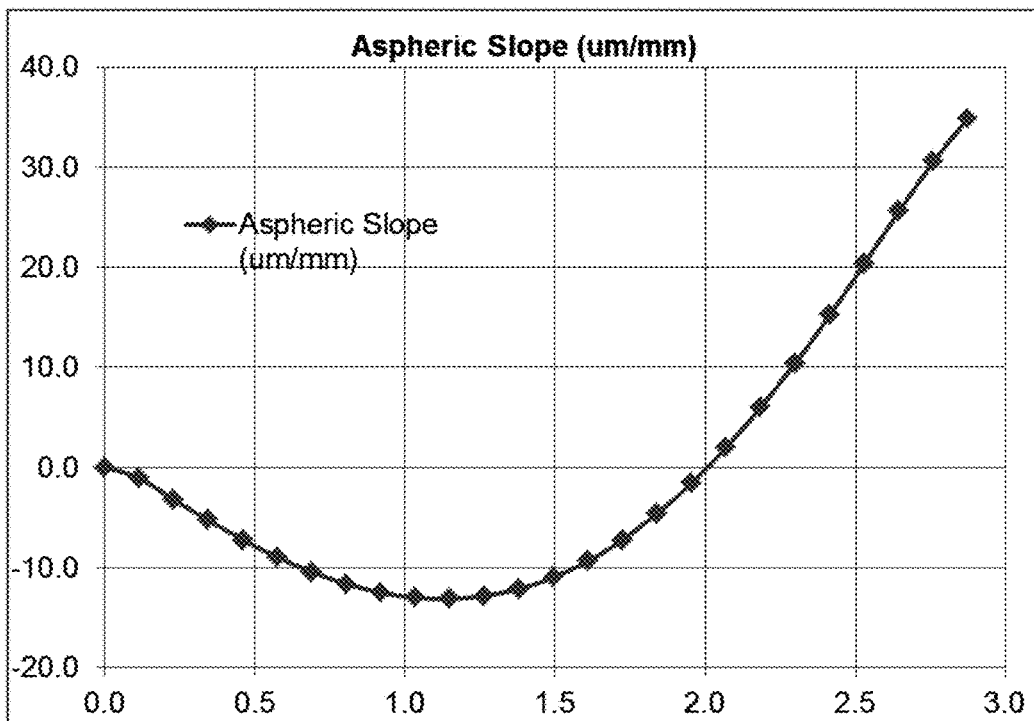
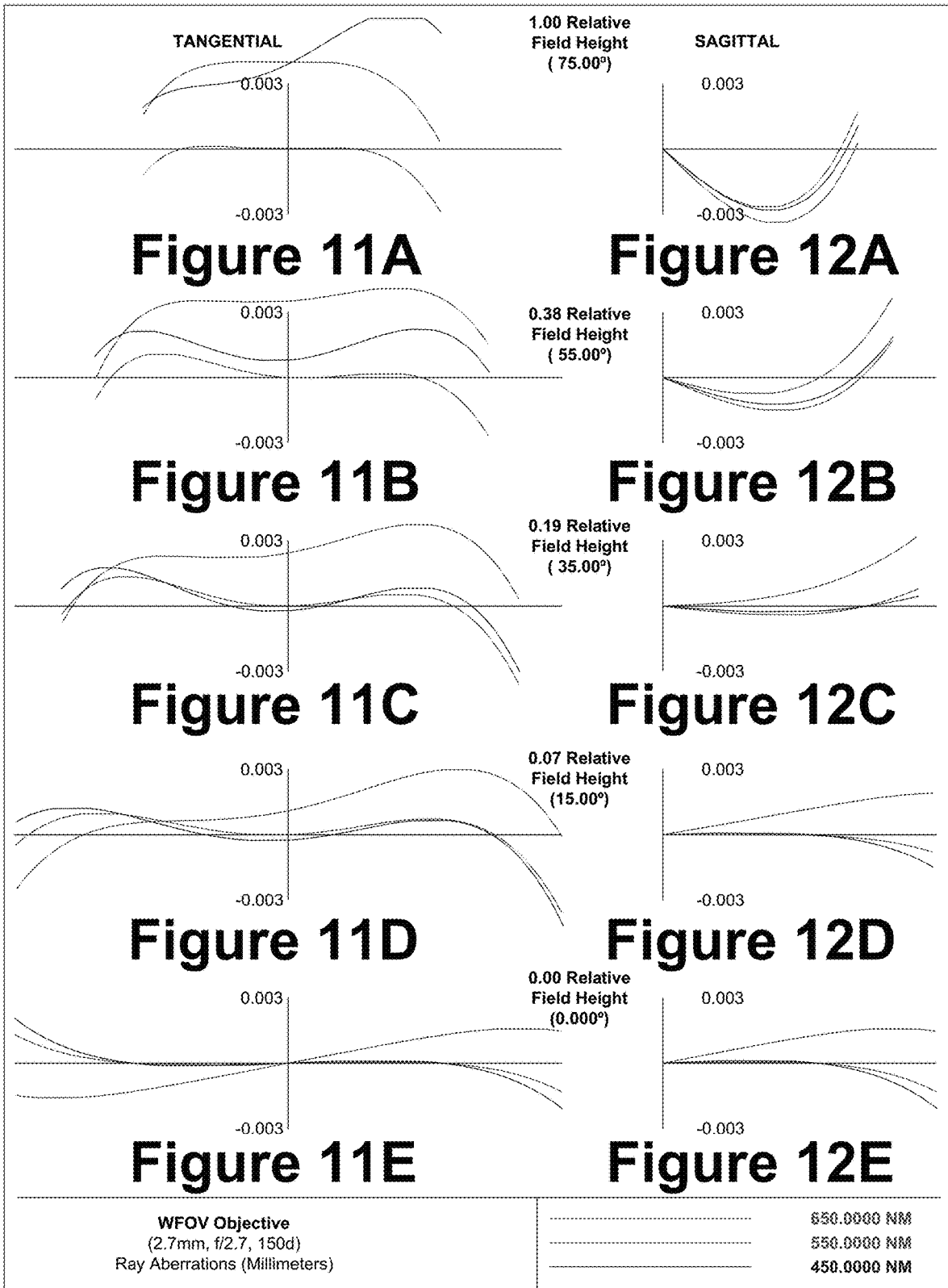


Figure 10



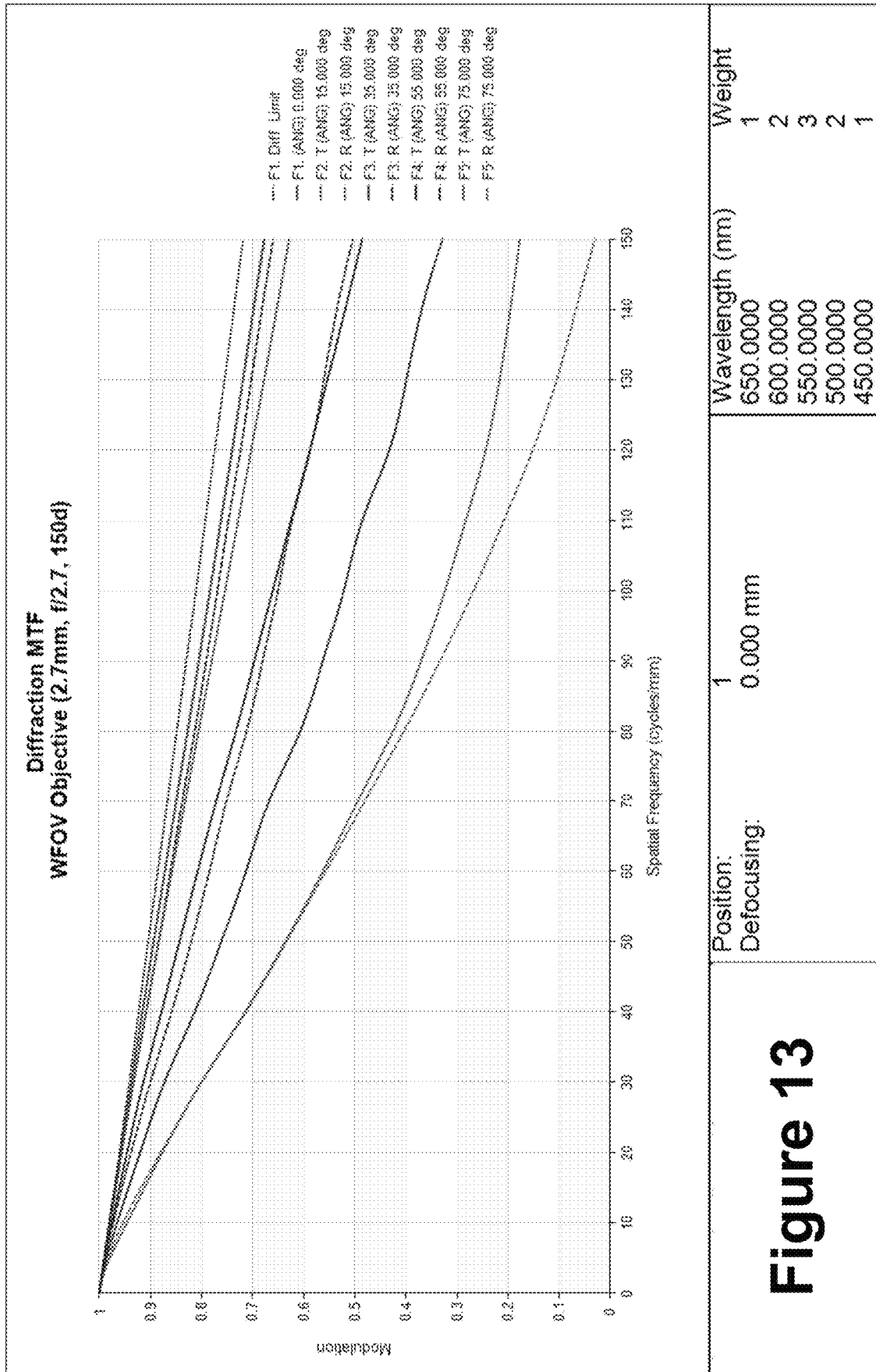


Figure 13

ASTIGMATIC FIELD CURVES

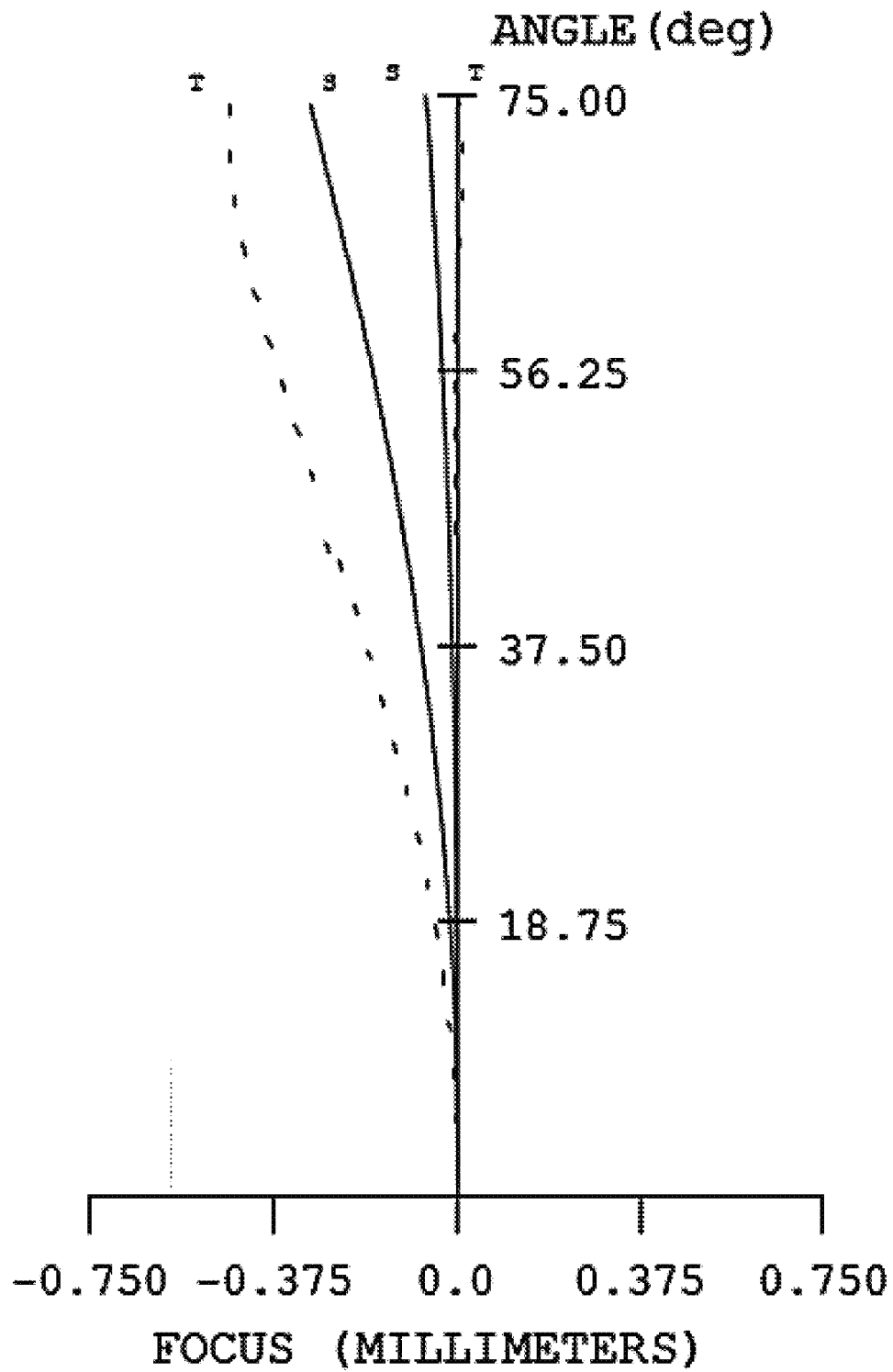
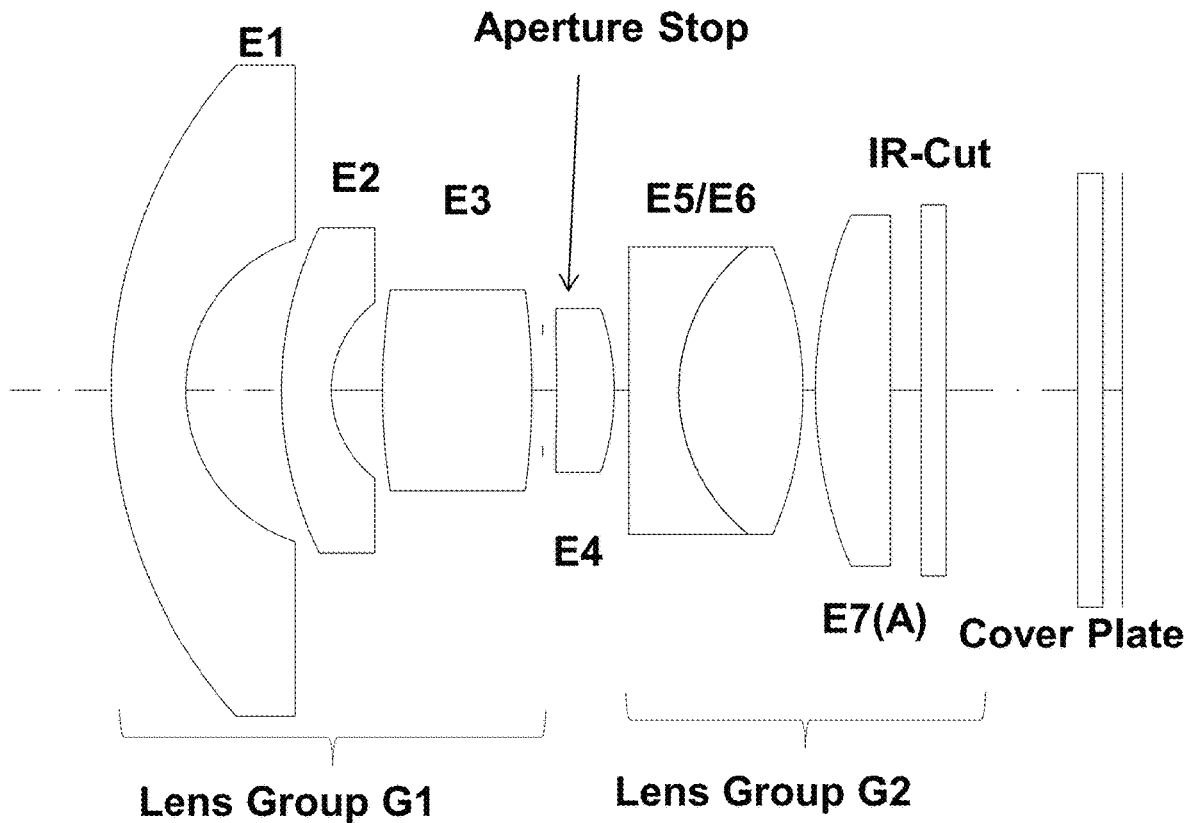


Figure 14



There is a significant advantage to the location of doublet E5/E6 between E4 & E7. Specifically, this location facilitates the correction of oblique aberrations. In this embodiment, the E7 is a plano convex asphere wherein S1 is aspheric and S2 is plano.

Figure 15

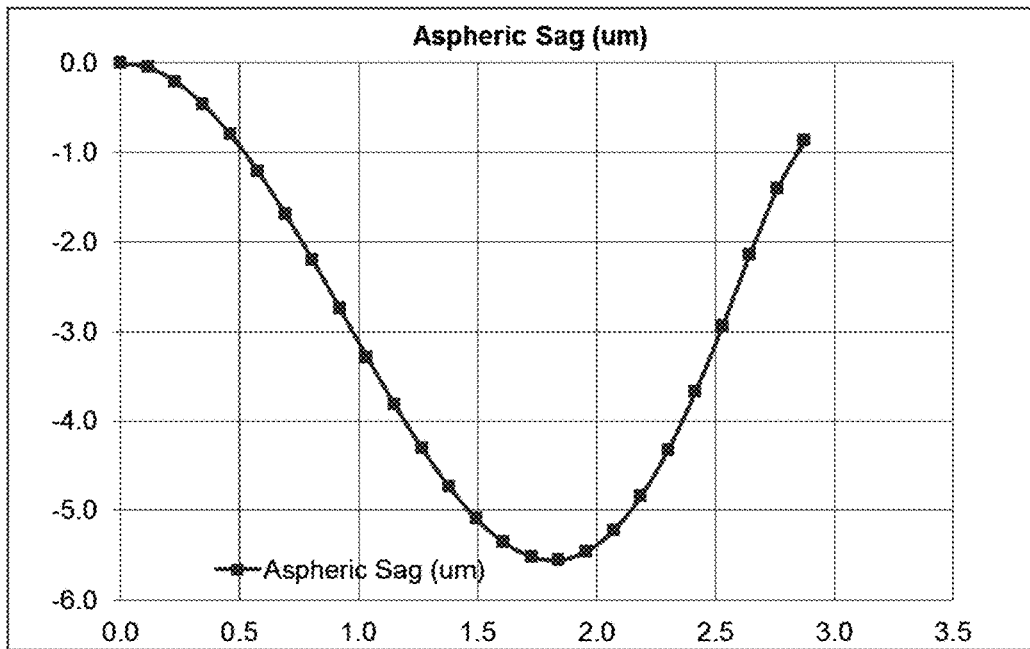


Figure 16

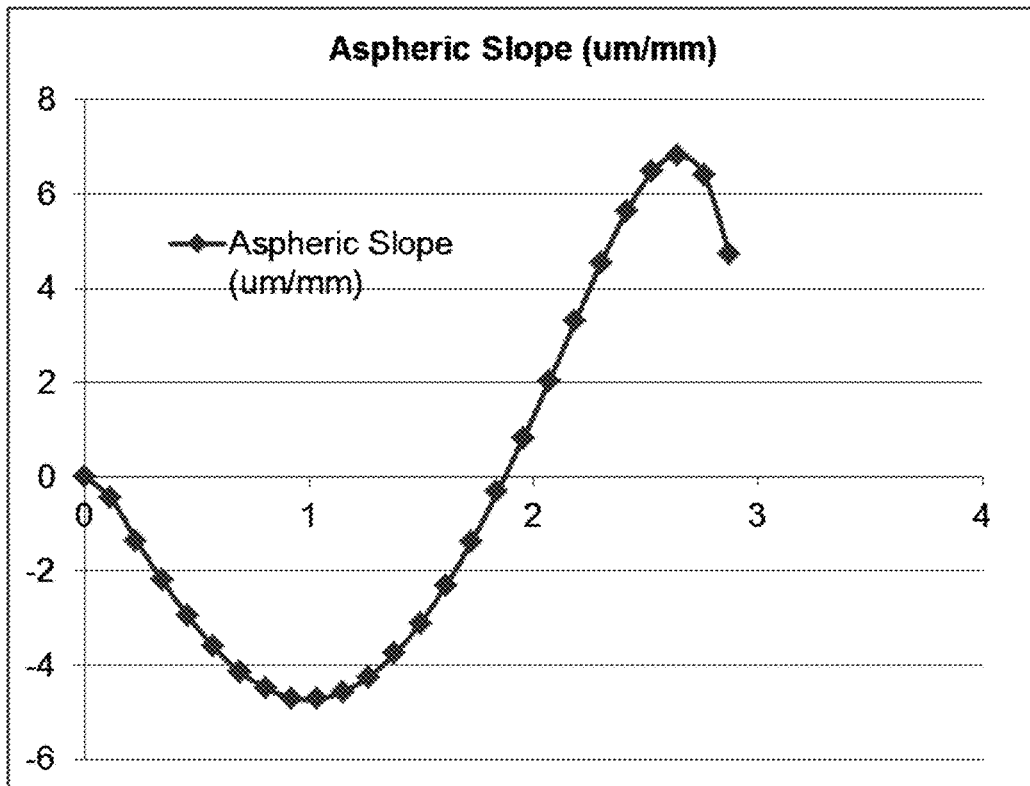
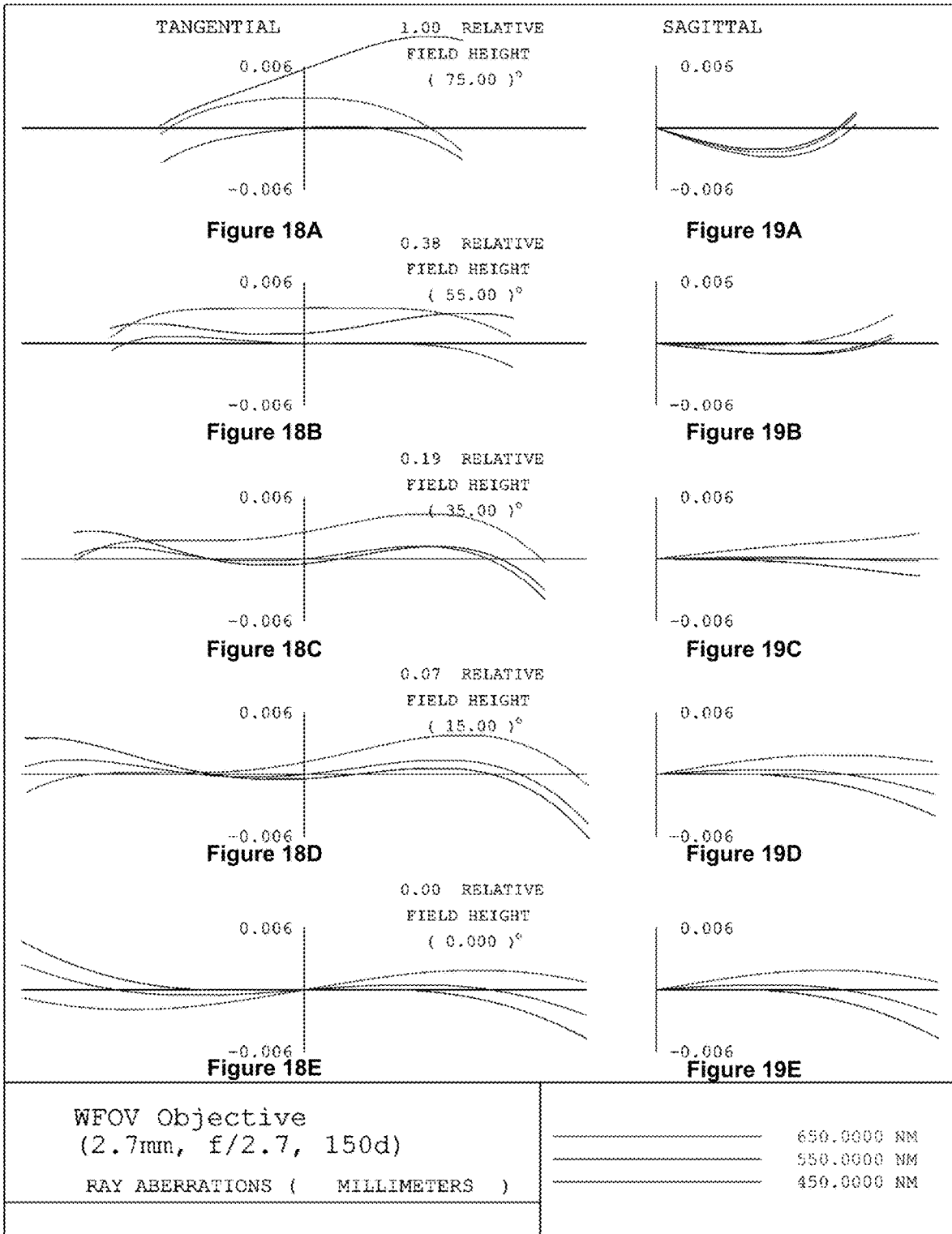


Figure 17



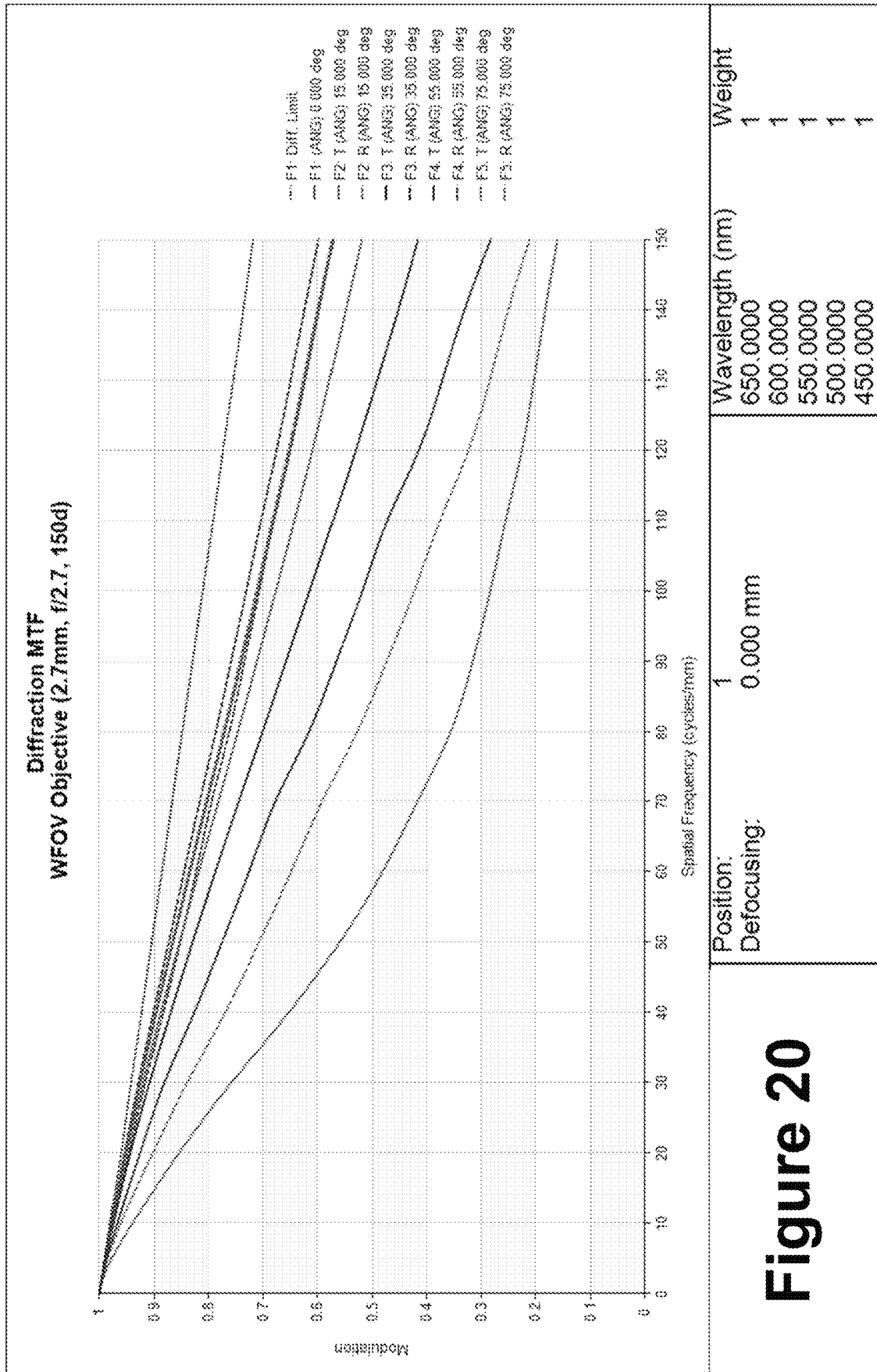


Figure 20

ASTIGMATIC FIELD CURVES

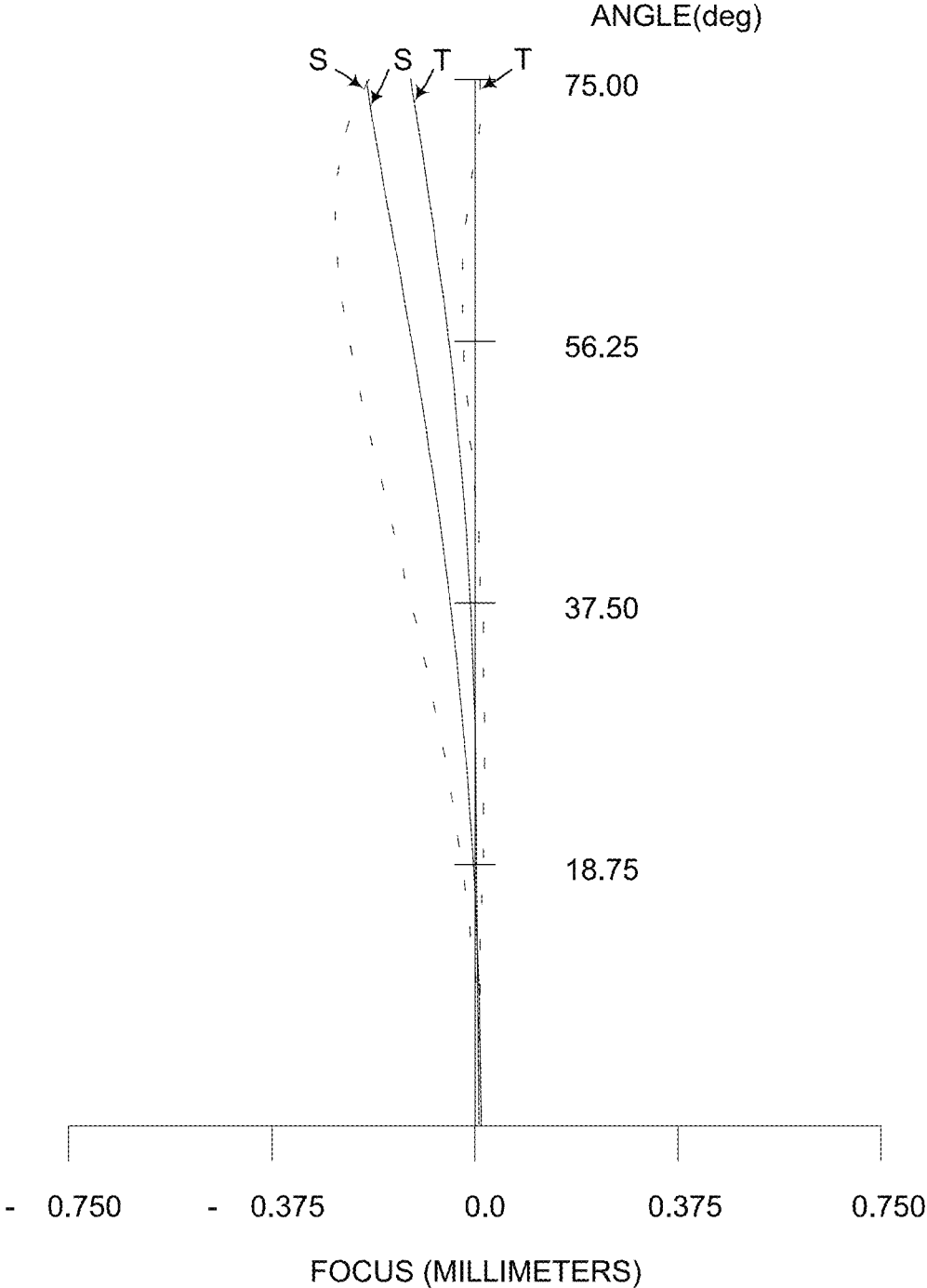
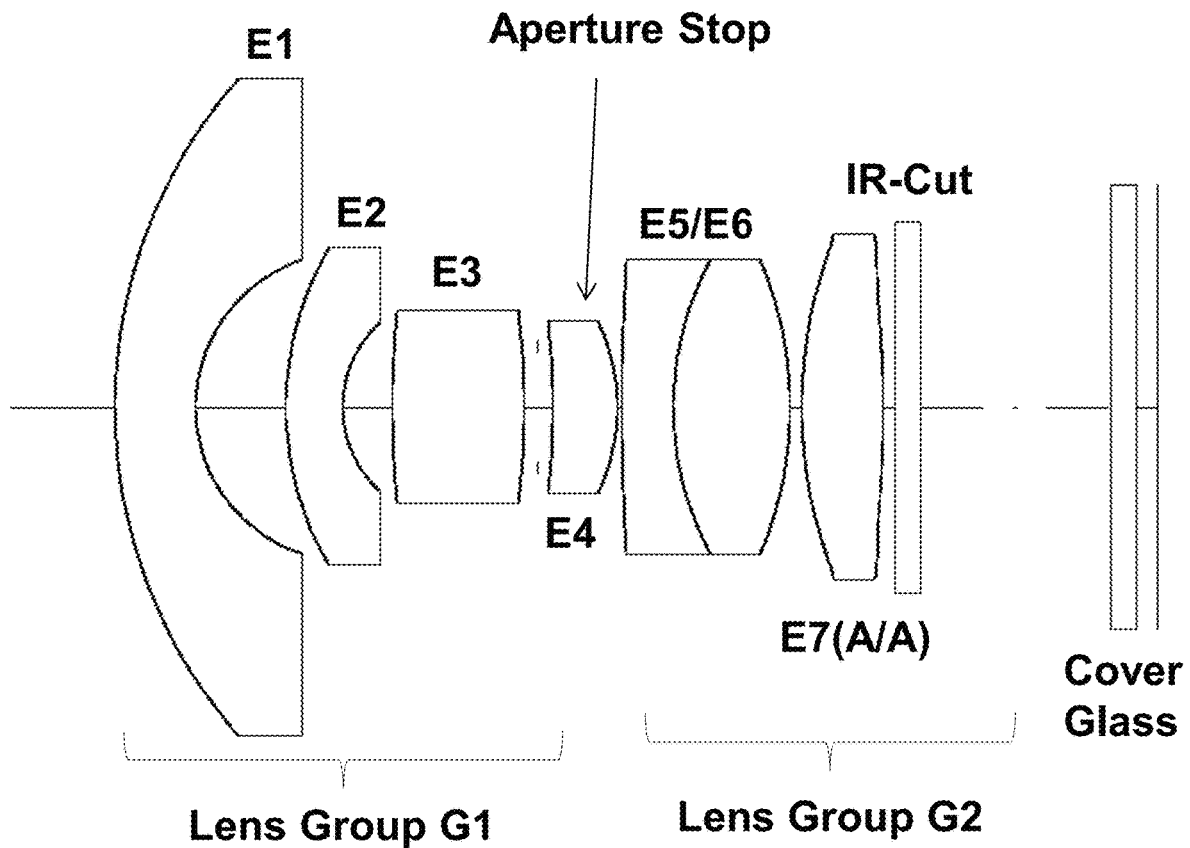


Figure 21



There is a significant advantage to the location of doublet E5/E6 between E4 & E7. Specifically, this location facilitates the correction of oblique aberrations. In this embodiment, the E7 is a convex biaspheric lens.

Figure 22

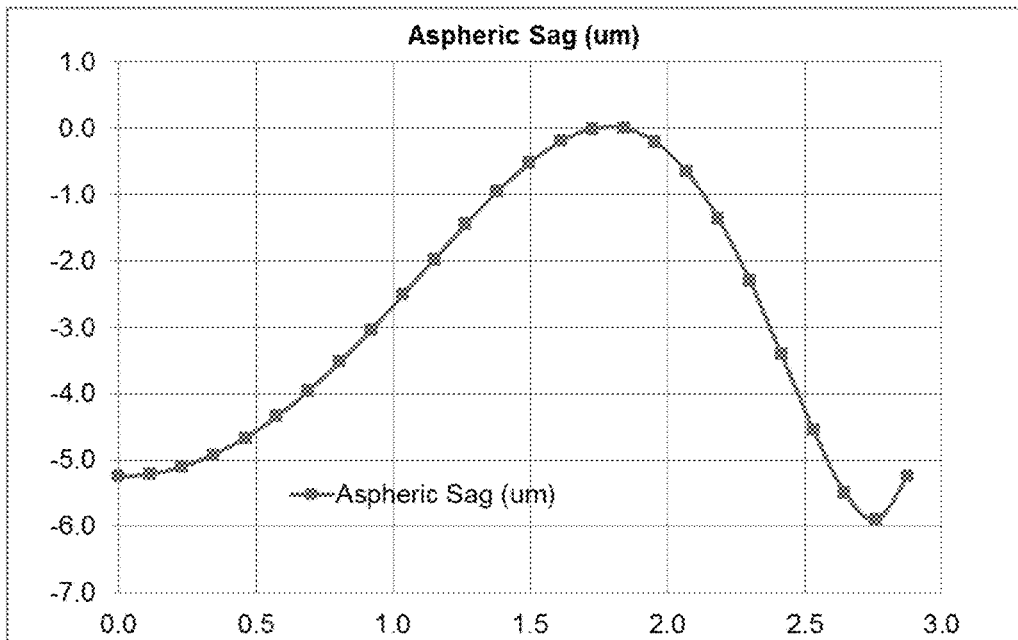


Figure 23

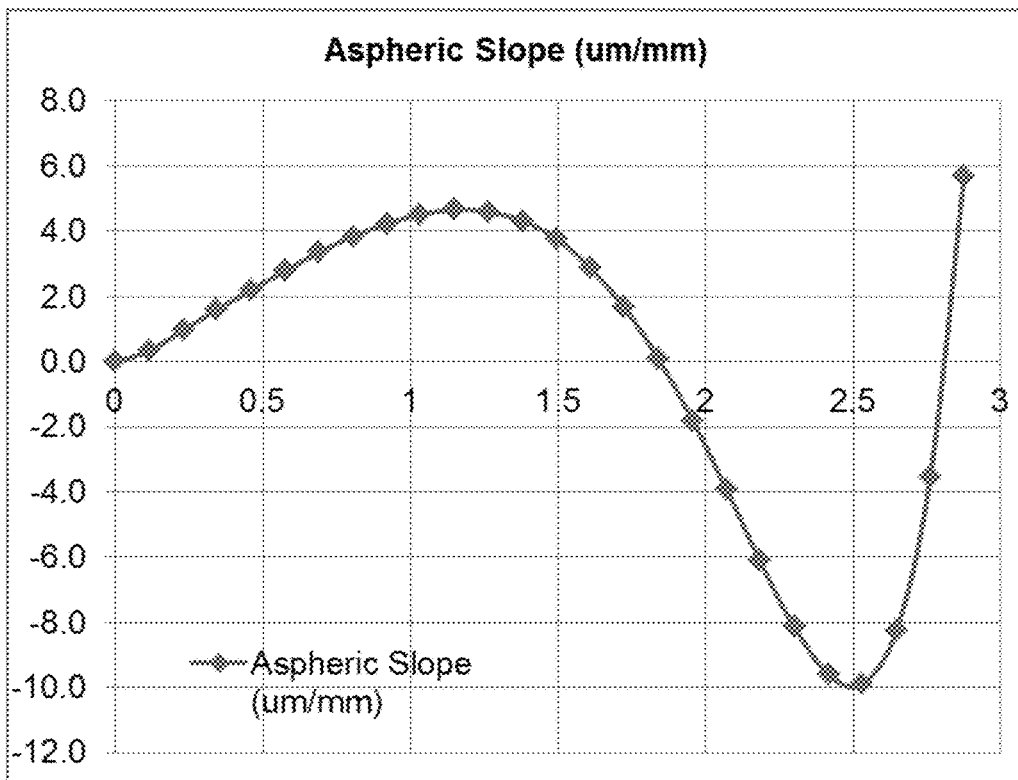


Figure 24

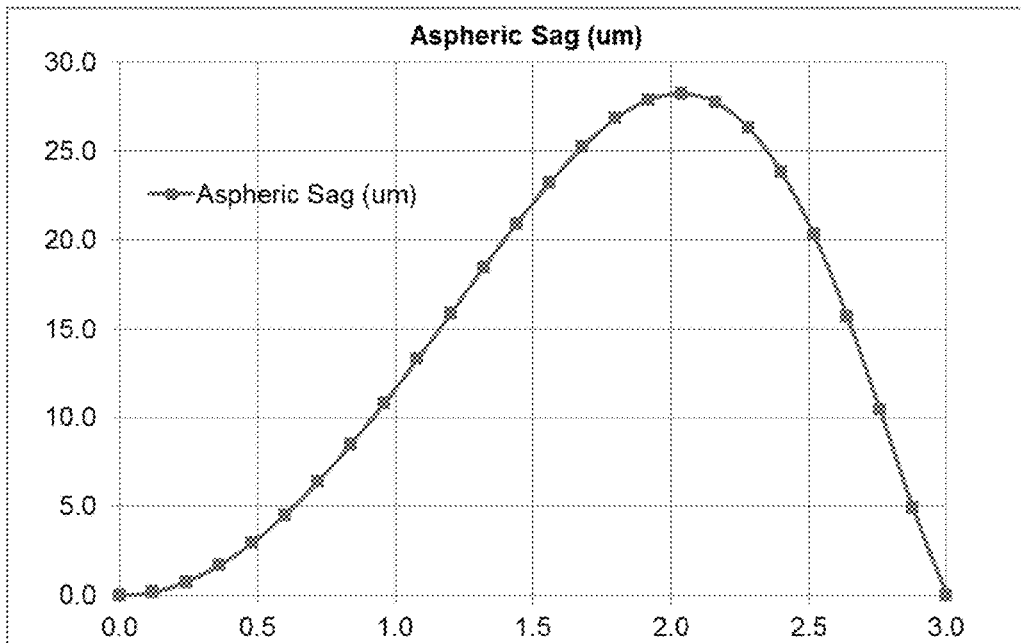


Figure 25

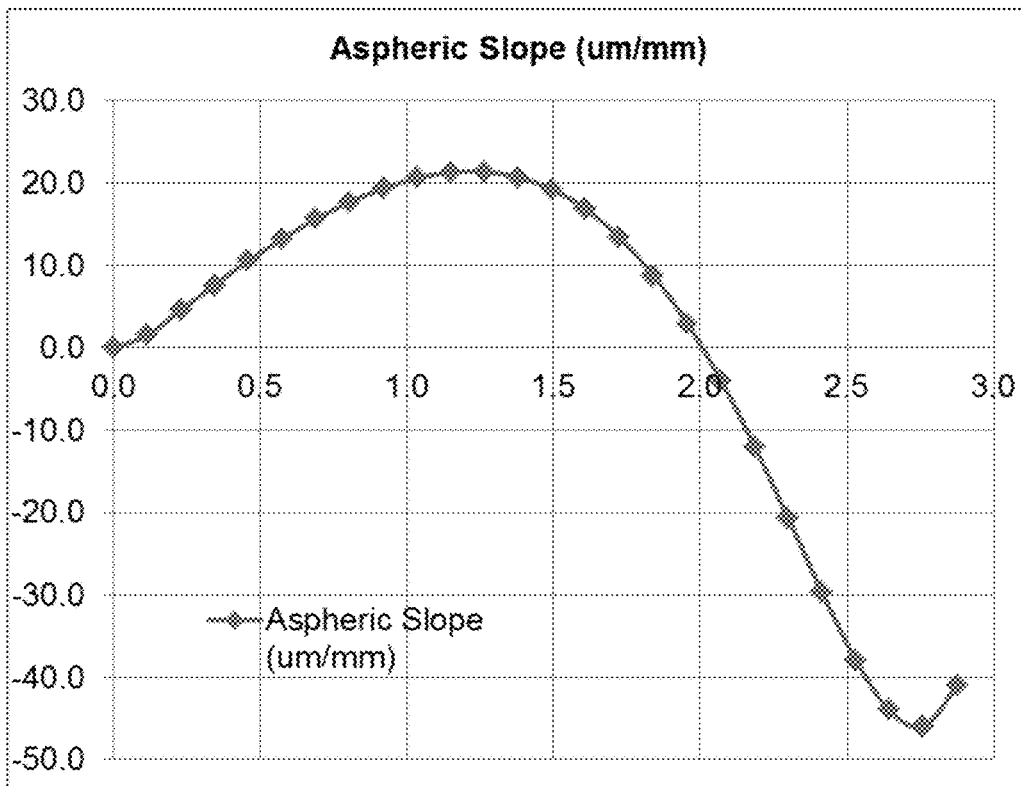
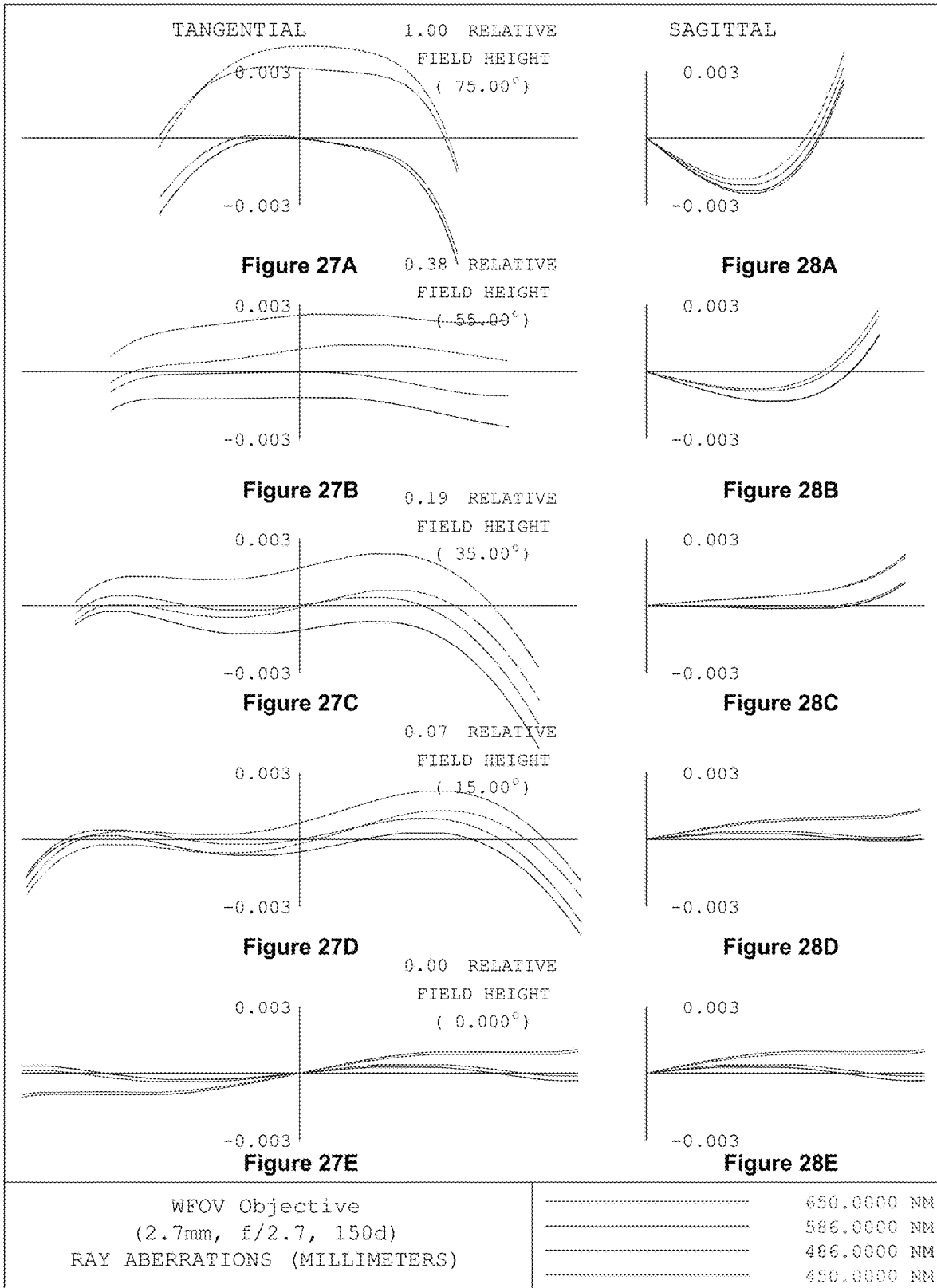


Figure 26



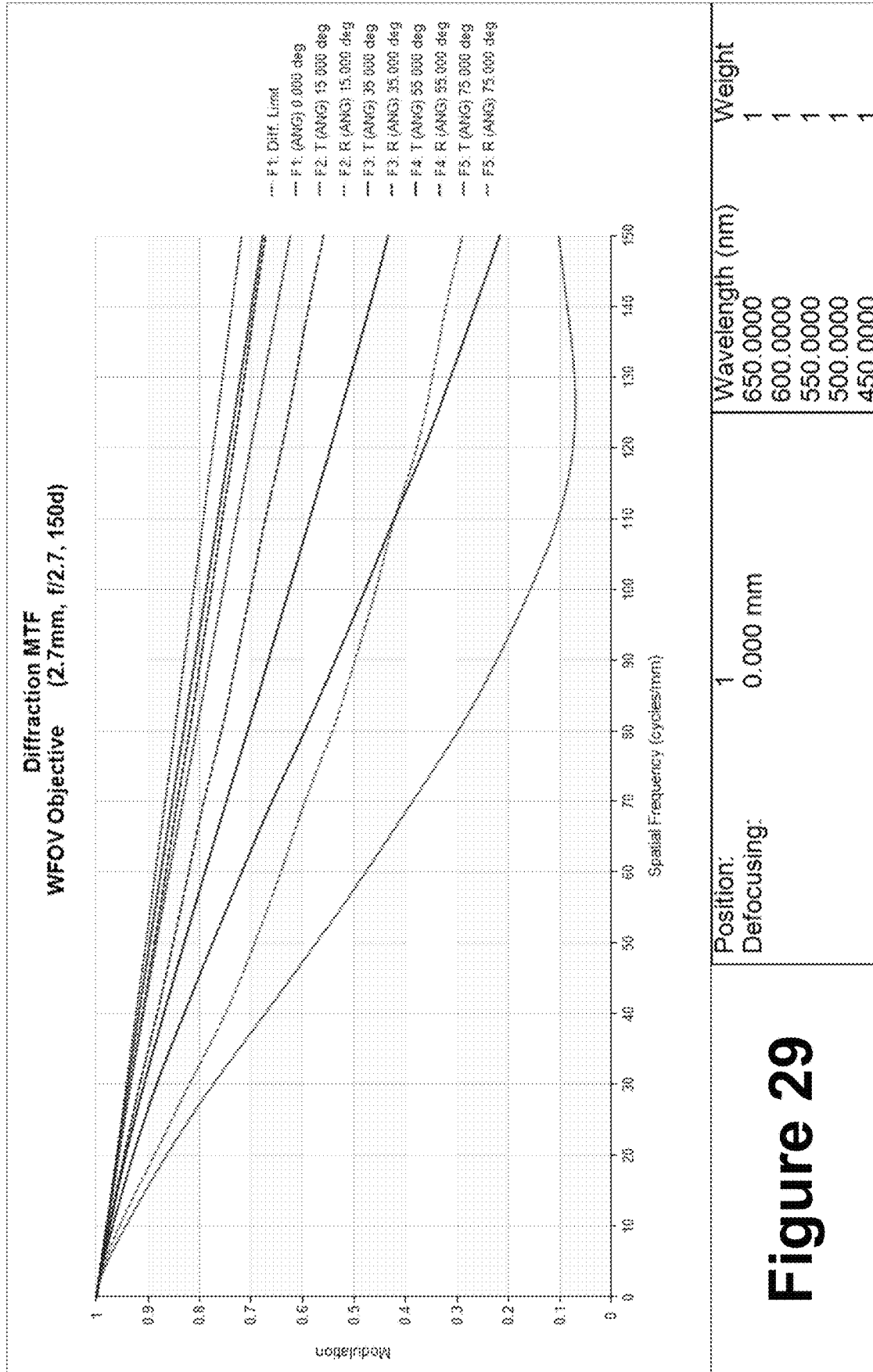


Figure 29

ASTIGMATIC FIELD CURVES

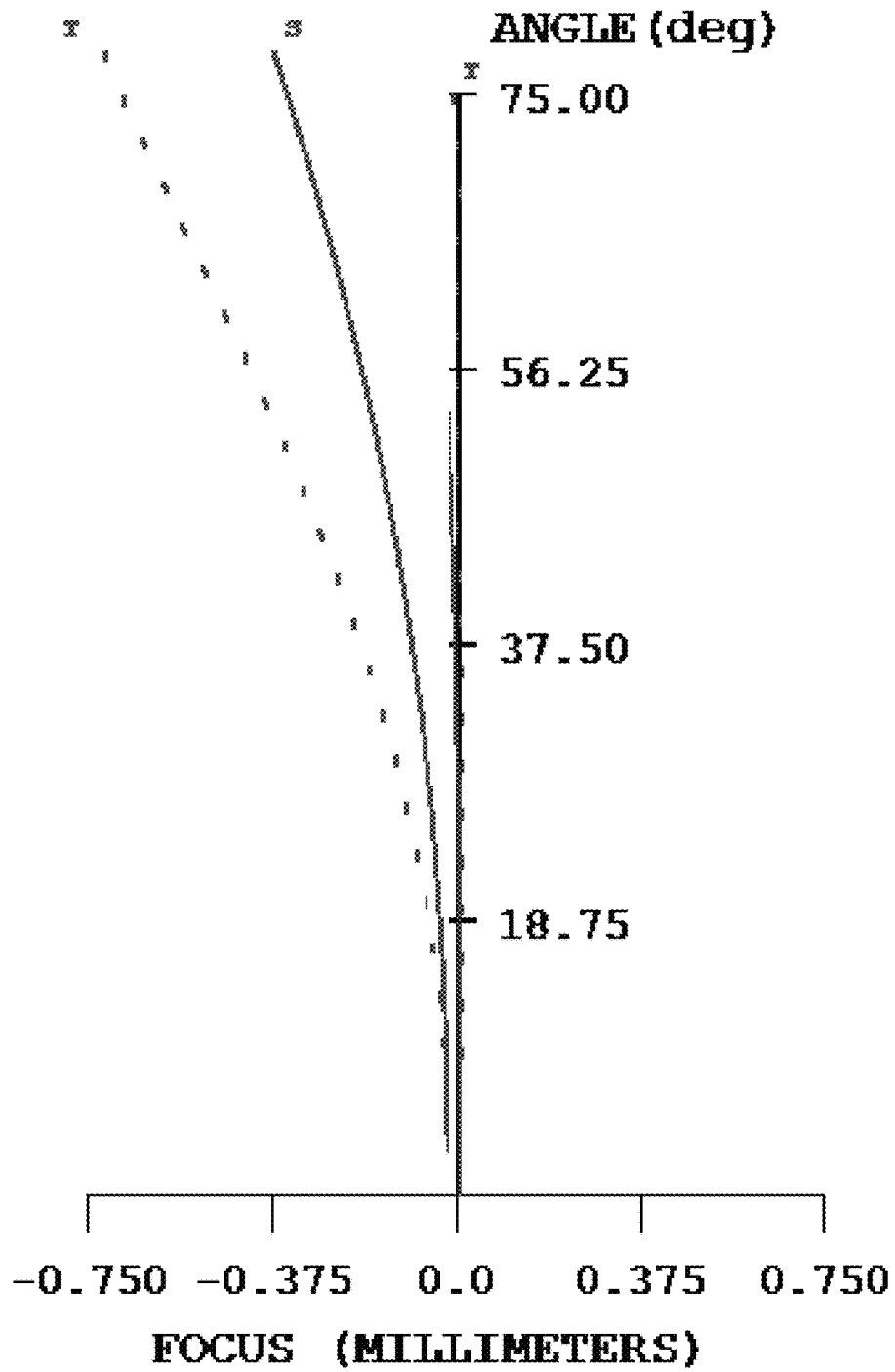


Figure 30

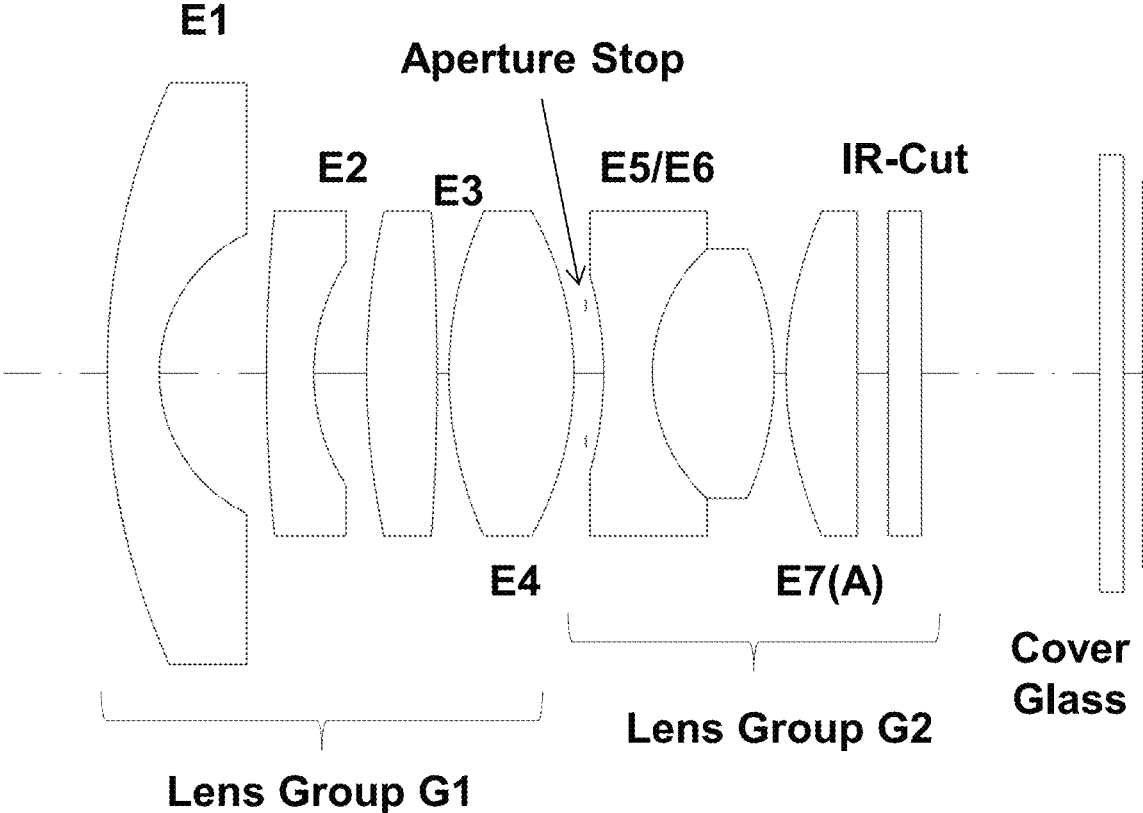


Figure 31

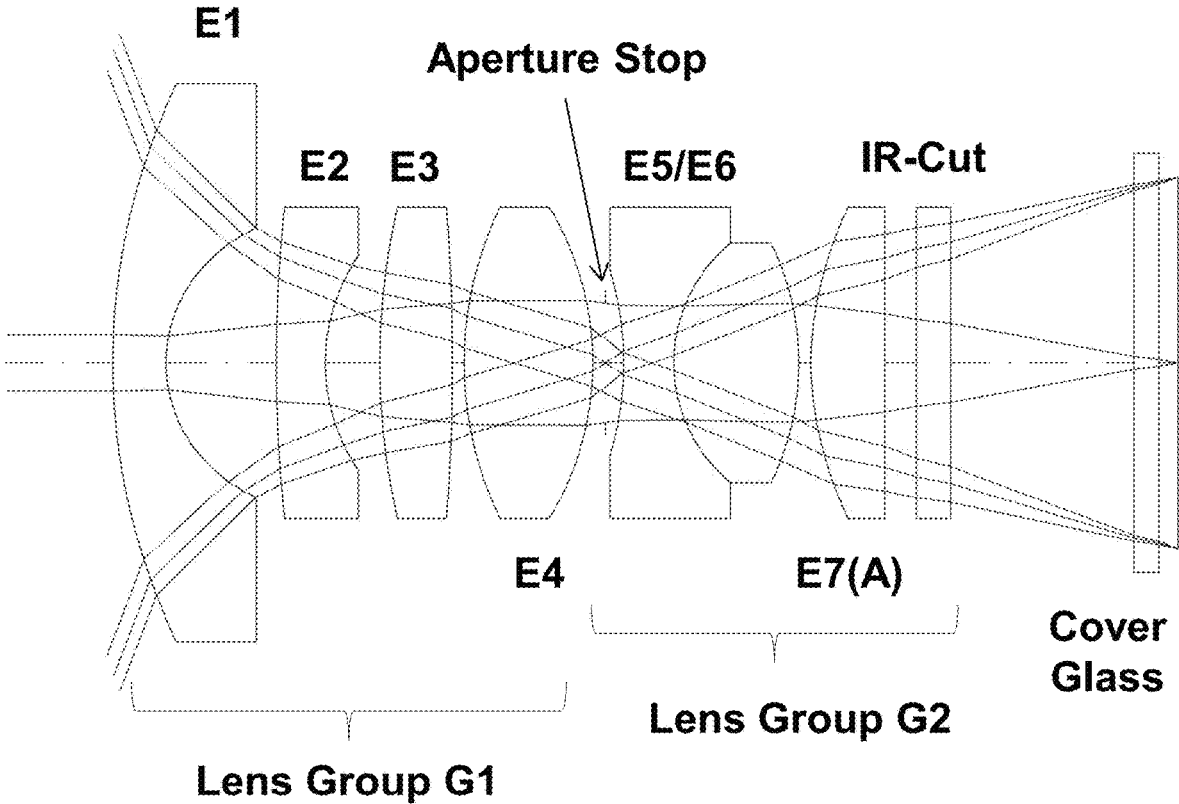


Figure 32

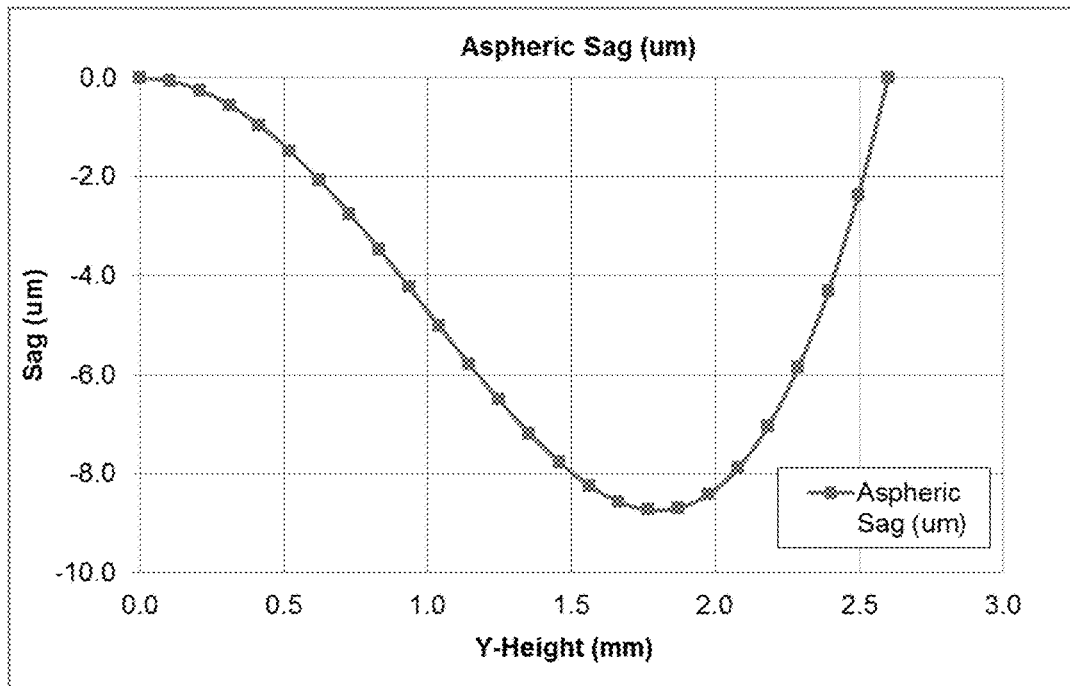


Figure 33

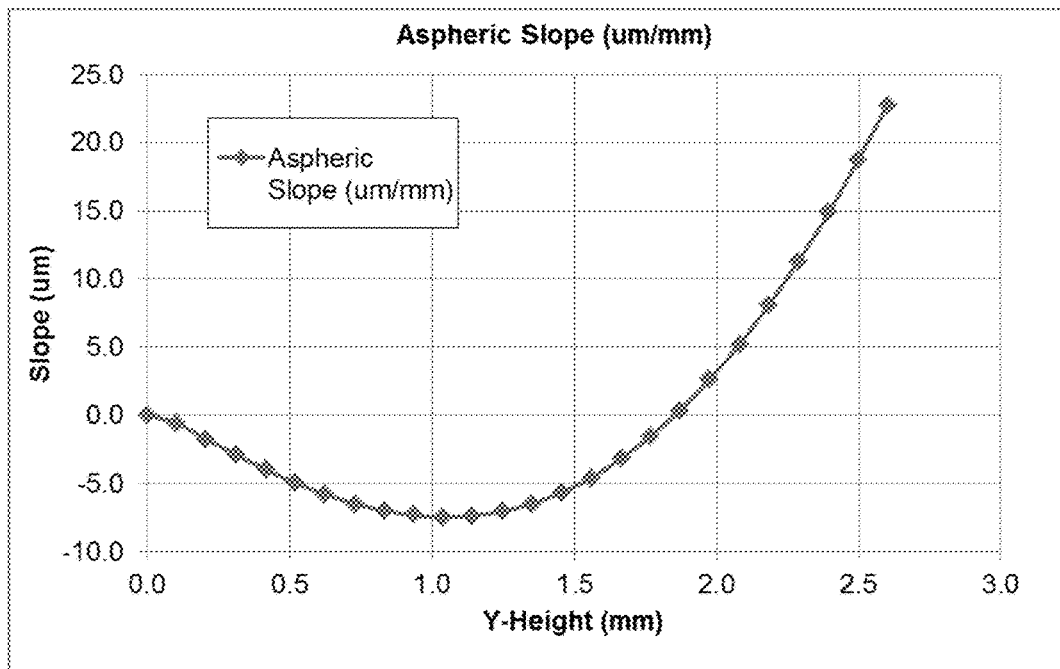


Figure 34

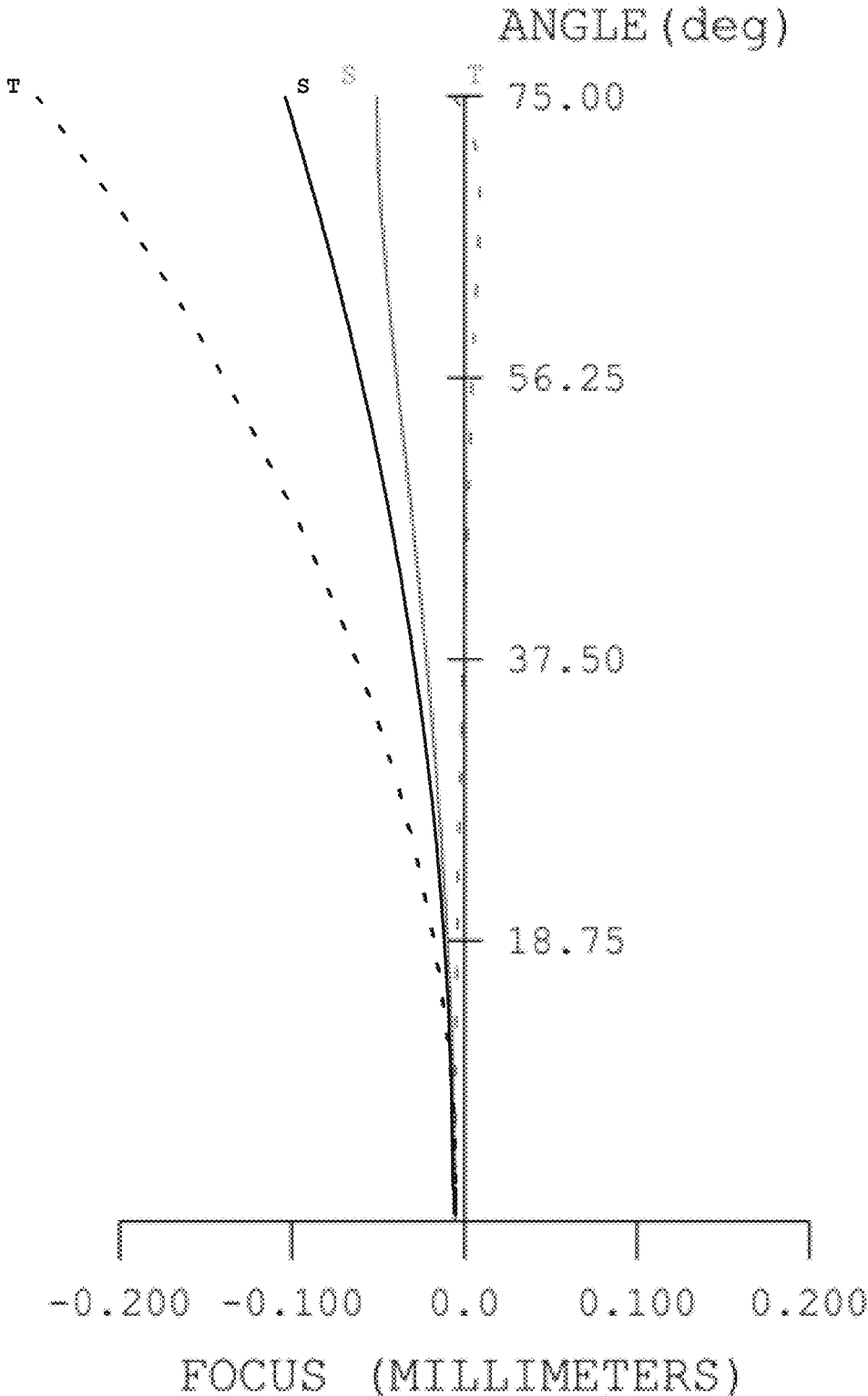


Figure 35

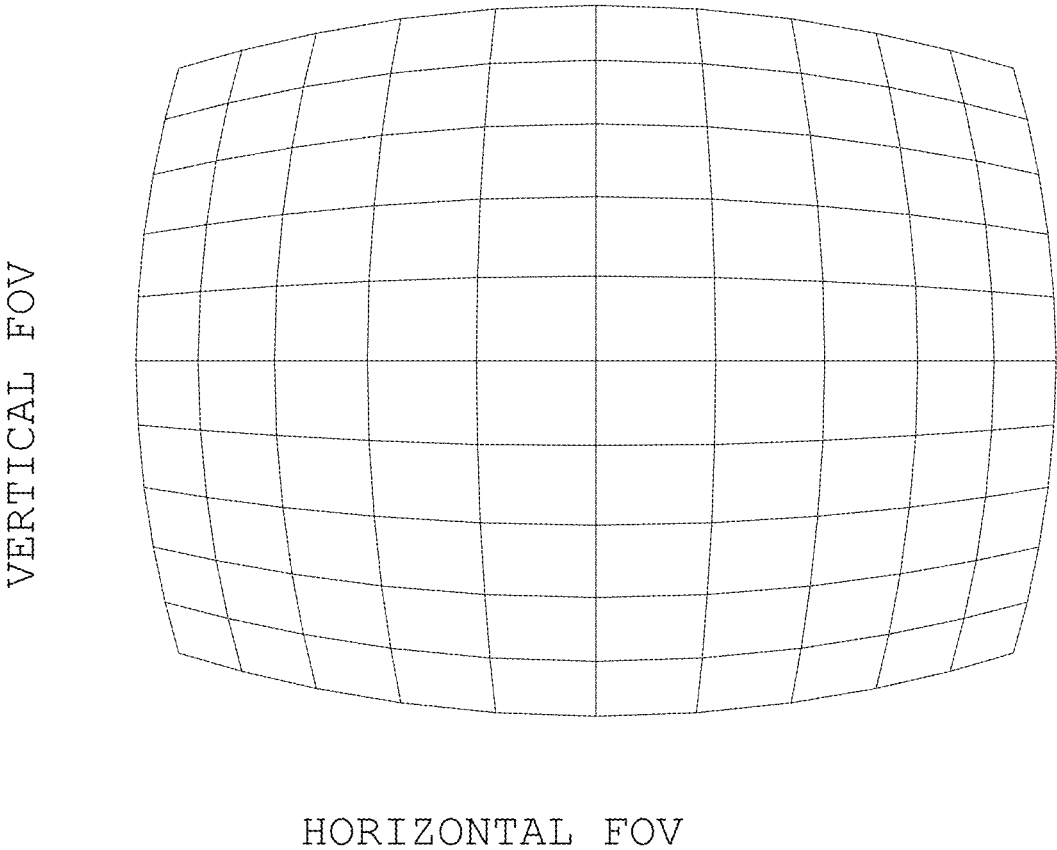
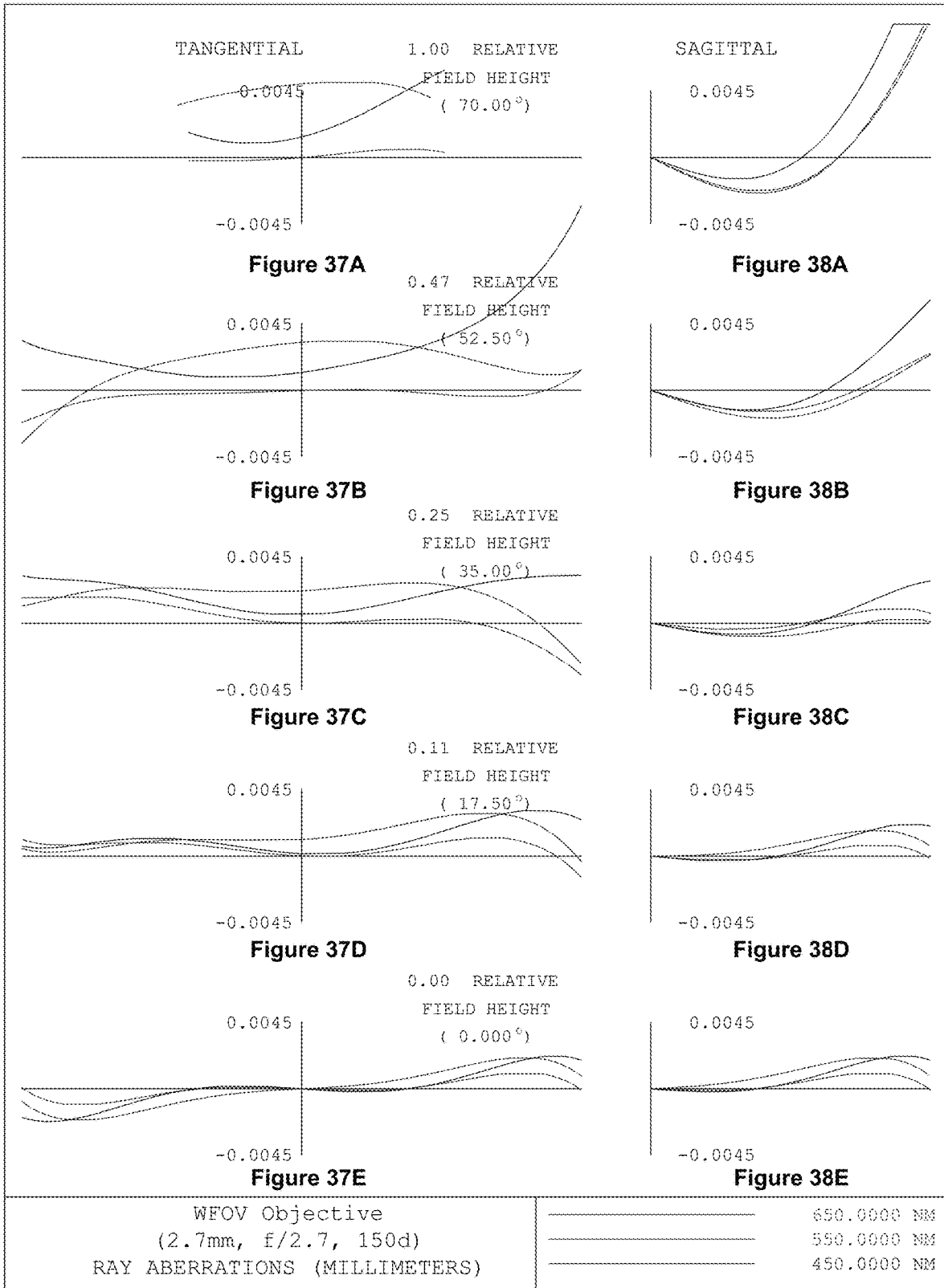
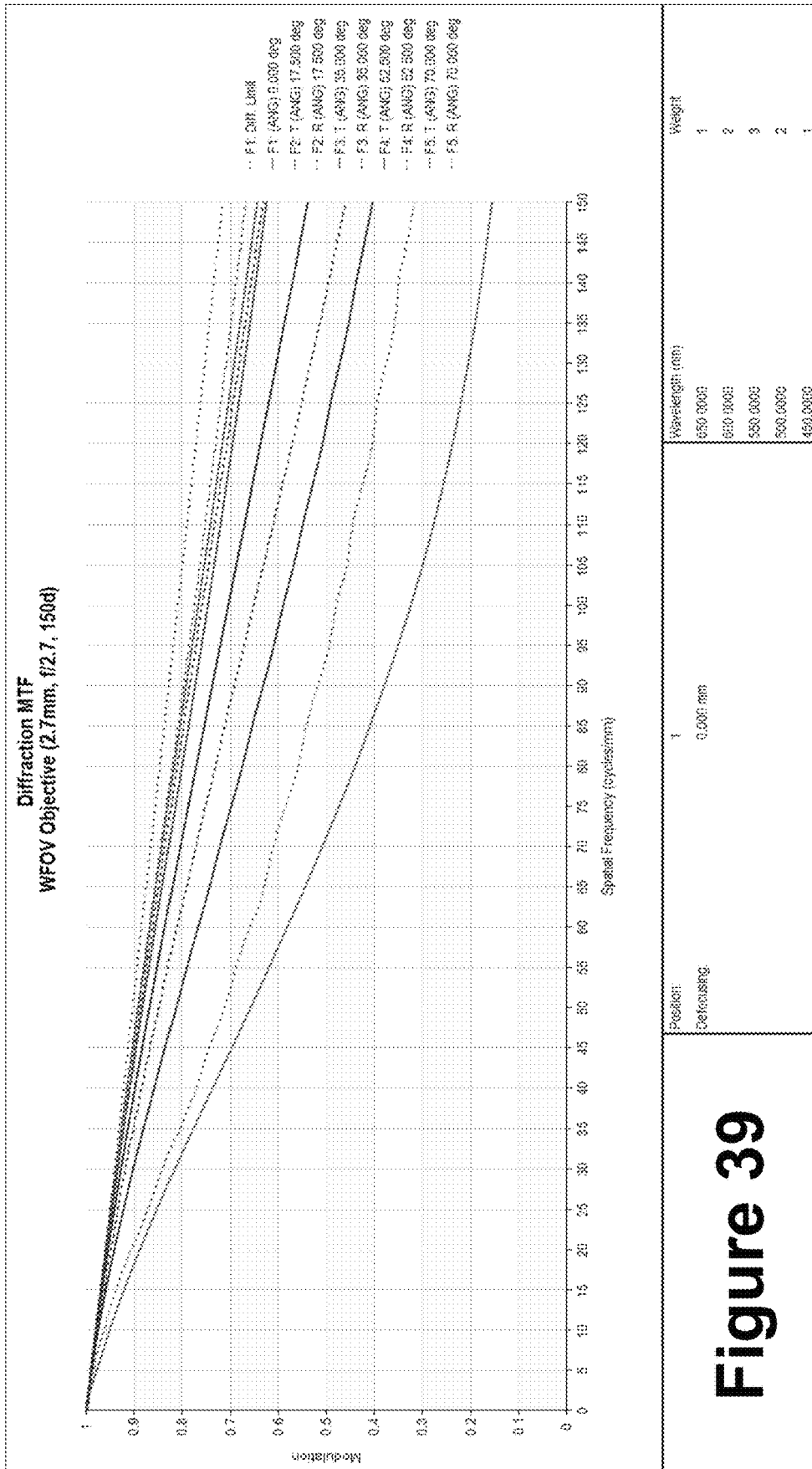


Figure 36





**OPTICAL ASSEMBLY FOR A WIDE FIELD
OF VIEW CAMERA WITH LOW TV
DISTORTION**

RELATED APPLICATIONS

This application is a Continuation of U.S. patent application Ser. No. 15/429,150, filed Feb. 9, 2017, now U.S. Pat. No. 10,139,599; which is a Division of U.S. patent application Ser. No. 14/810,377, filed Jul. 27, 2015, now U.S. Pat. No. 9,726,859; which is a Continuation-in-Part (CIP) of U.S. patent application Ser. No. 14/215,056, filed Mar. 16, 2014, now U.S. Pat. No. 9,091,843; which is one of four contemporaneously-filed applications by the same Applicant and Inventors, also including U.S. Ser. No. 14/215,041, now U.S. Pat. No. 9,494,772; U.S. Ser. No. 14/215,049, now U.S. Pat. No. 9,316,820; and U.S. Ser. No. 14/215,058, now U.S. Pat. No. 9,316,808. Each of these applications is hereby incorporated by reference.

BACKGROUND

Point action camera or other digital video cameras, as they are referred to herein, go by many other names, including point of view cameras (see, e.g., pointofviewcameras.com), helmet cameras, action cams or action cameras, point of view shooter cams, video action cameras, and extreme sports cameras among others. Brand names include GoPro and ReplayXD. Conventional point action cameras or other digital video cameras capturing images at a wide field of view typically have significant distortion, particularly at the outer several degrees of the wide field of view. In addition, astigmatism errors in conventional point action cameras or other digital video cameras can negatively impact the appearance of the video images that it captures. It is desired to have a point action camera or other digital video camera that is capable of capturing a wide field of view, or a field of view that is greater than 90 degrees in either or both of the horizontal (x) and/or vertical (y) dimensions (or an arbitrary axis normal to the depth (z) dimension), and in certain embodiments greater than 120 degrees, and perhaps 135-150 degrees or more in the horizontal (x) dimension and/or perhaps 110-120 degrees or more in the vertical (y) dimension, and that is configured with built-in distortion and astigmatism error compensation, as well as residual oblique aberrational error compensation.

Distortion in wide field of view cameras has been reduced with image processing software (see, e.g., U.S. Pat. Nos. 8,493,459 and 8,493,460, and US published patent applications nos. 2011/0216156 and 2011/0216157). It is desired however to alternatively provide a point action camera or other digital video camera, wherein the distortion that is typically inherent in wide field of view systems such as conventional point action cameras or other digital video cameras is compensated by an effective and efficient optical design.

Alex Ning describes a six lens design in U.S. Pat. No. 7,023,628 that has a ratio of total track length (TTL) to effective focal length (EFL), or TTL/EFL, that has a maximum value of 15 over which Ning states that the design would not have been considered compact. The Ning six lens design also has a minimum value of 8 under which Ning states that the design would not achieve the required fish eye field of view. U.S. Pat. No. 7,929,221 describes multiple optical assemblies that each include three aspheric surfaces on two lens elements and that each have a TTL/EFL ratio between 15 and 25. In an unrelated technical field, U.S. Pat.

No. 7,675,694 nonetheless describes multiple optical assemblies that each include six aspheric surfaces on three lens elements. At U.S. Pat. No. 8,873,167, Ning describes an optical system that includes three lens elements in the first group and either having no aspheric lens elements or two aspheric lens elements, one in each of the two optical groups. In one example, Ning discloses a TTL/EPL ratio of 17.6, while in more compact examples TTL/EFL is described as being not less than 8. It is desired to have an optical assembly for a compact camera that exhibits a wide field of view with low distortion and that has a TTL/EFL ratio that is less than 8.

It is recognized by the present inventors that it would be advantageous to have a design with a lower TTL/EFL ratio, which takes into account the desire for compactness in physical size as well as the desire to have point action video and other digital video with a wide field of view without intolerable amounts of distortion and astigmatism errors, nor errors from residual oblique aberrations. It is desired therefore to have an optical system for a point action camera or other digital video camera or other digital camera that has a low TTL/EFL ratio and that also achieves a desired wide field of view with tolerable, minimal, insubstantial, insignificant or drastically reduced distortion, astigmatism and residual oblique aberrational characteristics.

Wang et al. have proposed at U.S. Pat. No. 9,019,629 an optical assembly for a mobile phone camera that exhibits a ratio of the sensor diagonal to the focal length between 1.27 and 1.55. The optical assembly of Wang et al. is not configured for capturing images at a wide field of view.

BRIEF DESCRIPTION OF THE DRAWINGS

FIG. 1 schematically illustrates an optical assembly for a point action camera or other digital video camera in accordance with certain embodiments.

FIG. 2 is a plot of aspheric sag versus radial distance from the center of the asphere for the thirteenth surface from the object, or the object side surface of the seventh lens, in the example optical assembly illustrated schematically in FIG. 1.

FIG. 3 is a plot of slope of aspheric sag versus radial distance from the center of the asphere for the thirteenth surface from the object, or the object side surface of the seventh lens, in the example optical assembly illustrated schematically in FIG. 1.

FIGS. 4A-4E and 5A-5E respectively show plots of tangential and sagittal ray aberrations for the wide field of view objective assembly illustrated in FIG. 1.

FIG. 6 illustrates diffraction modulation transfer function (MTF) plots of contrast vs. spatial frequency for tangential and sagittal rays impinging upon the optical assembly of FIG. 1 normal to the optical axis (F1), 15 degrees from normal to the optical axis (F2), 35 degrees from normal to the optical axis (F3), 55 degrees from normal to the optical axis (F4), and 75 degrees from normal to the optical axis (F5).

FIG. 7 shows astigmatic field curves for tangential fan (T) and sagittal fan (S) for the optical assembly illustrated schematically at FIG. 1 as well as the tangential fan (T') and sagittal fan (S') for a similar optical assembly except that the thirteenth optical surface has no aspheric departure.

FIG. 8 schematically illustrates another optical assembly for a point action camera or other digital video camera in accordance with certain embodiments.

FIG. 9 is a plot of aspheric sag versus radial distance from the center of the asphere for the thirteenth surface from the

object, or the object side surface of the seventh lens, in the example optical assembly illustrated schematically in FIG. 8.

FIG. 10 is a plot of slope of aspheric sag versus radial distance from the center of the asphere for the thirteenth surface from the object, or the object side surface of the seventh lens, in the example optical assembly illustrated schematically in FIG. 8.

FIGS. 11A-11E and 12A-12E respectively show plots of tangential and sagittal ray aberrations for the wide field of view objective assembly illustrated in FIG. 8.

FIG. 13 illustrates diffraction modulation transfer function (MTF) plots of contrast vs. spatial frequency for tangential and sagittal rays impinging upon the optical assembly of FIG. 8 normal to the optical axis (F1), 15 degrees from normal to the optical axis (F2), 35 degrees from normal to the optical axis (F3), 55 degrees from normal to the optical axis (F4), and 75 degrees from normal to the optical axis (F5).

FIG. 14 shows astigmatic field curves for tangential fan (T) and sagittal fan (S) for the optical assembly illustrated schematically at FIG. 9 as well as the tangential fan (T') and sagittal fan (S') for a similar optical assembly except that the thirteenth optical surface has no aspheric departure.

FIG. 15 schematically illustrates another optical assembly for a point action camera or other digital video camera in accordance with certain embodiments.

FIG. 16 is a plot of aspheric sag versus radial distance from the center of the asphere for the thirteenth surface from the object, or the object side surface of the seventh lens, in the example optical assembly illustrated schematically in FIG. 15.

FIG. 17 is a plot of slope of aspheric sag versus radial distance from the center of the asphere for the thirteenth surface from the object, or the object side surface of the seventh lens, in the example optical assembly illustrated schematically in FIG. 15.

FIGS. 18A-18E and 19A-19E respectively show plots of tangential and sagittal ray aberrations for the wide field of view objective assembly illustrated in FIG. 15.

FIG. 20 illustrates diffraction modulation transfer function (MTF) plots of contrast vs. spatial frequency for tangential and sagittal rays impinging upon the optical assembly of FIG. 15 normal to the optical axis (F1), 15 degrees from normal to the optical axis (F2), 35 degrees from normal to the optical axis (F3), 55 degrees from normal to the optical axis (F4), and 75 degrees from normal to the optical axis (F5).

FIG. 21 shows astigmatic field curves for tangential fan (T) and sagittal fan (S) for the optical assembly illustrated schematically at FIG. 16 as well as the tangential fan (T') and sagittal fan (S') for a similar optical assembly except that the thirteenth optical surface has no aspheric departure.

FIG. 22 schematically illustrates another optical assembly for a point action camera or other digital video camera in accordance with certain embodiments.

FIG. 23 is a plot of aspheric sag versus radial distance from the center of the asphere for the thirteenth surface from the object, or the object side surface of the seventh lens, in the example optical assembly illustrated schematically in FIG. 22.

FIG. 24 is a plot of slope of aspheric sag versus radial distance from the center of the asphere for the thirteenth surface from the object, or the object side surface of the seventh lens, in the example optical assembly illustrated schematically in FIG. 22.

FIG. 25 is a plot of aspheric sag versus radial distance from the center of the asphere for the fourteenth surface from the object, or the image side surface of the seventh lens, in the example optical assembly illustrated schematically in FIG. 22.

FIG. 26 is a plot of slope of aspheric sag versus radial distance from the center of the asphere for the fourteenth surface from the object, or the image side surface of the seventh lens, in the example optical assembly illustrated schematically in FIG. 22.

FIGS. 27A-27E and 28A-28E respectively show plots of tangential and sagittal ray aberrations for the wide field of view objective assembly illustrated in FIG. 22.

FIG. 29 illustrates diffraction modulation transfer function (MTF) plots of contrast vs. spatial frequency for tangential and sagittal rays impinging upon the optical assembly of FIG. 22 normal to the optical axis (F1), 15 degrees from normal to the optical axis (F2), 35 degrees from normal to the optical axis (F3), 55 degrees from normal to the optical axis (F4), and 75 degrees from normal to the optical axis (F5).

FIG. 30 shows astigmatic field curves for tangential fan (T) and sagittal fan (S) for the optical assembly illustrated schematically at FIG. 22 as well as the tangential fan (T') and sagittal fan (S') for a similar optical assembly except that the thirteenth optical surface has no aspheric departure.

FIG. 31 schematically illustrates another optical assembly for a point action camera or other digital video camera in accordance with certain embodiments.

FIG. 32 schematically illustrates a ray-trace layout for the optical assembly of FIG. 31.

FIG. 33 is a plot of aspheric sag versus radial distance from the center of the asphere for the thirteenth surface from the object, or the object side surface of the seventh lens, in the example optical assembly illustrated schematically in FIG. 31.

FIG. 34 is a plot of slope of aspheric sag versus radial distance from the center of the asphere for the thirteenth surface from the object, or the object side surface of the seventh lens, in the example optical assembly illustrated schematically in FIG. 31.

FIG. 35 shows astigmatic field curves for tangential fan (T) and sagittal fan (S) for the optical assembly illustrated schematically at FIG. 31 as well as the tangential fan (T') and sagittal fan (S') for a similar optical assembly except that the thirteenth optical surface has no aspheric departure.

FIG. 36 schematically illustrates a corrected distortion grid for the example optical assembly of FIG. 31.

FIGS. 37A-37E and 38A-38E respectively show plots of tangential and sagittal ray aberrations for the wide field of view objective assembly illustrated in FIG. 31.

FIG. 39 illustrates diffraction modulation transfer function (MTF) plots of contrast vs. spatial frequency for tangential and sagittal rays impinging upon the optical assembly of FIG. 31 normal to the optical axis (F1), 15 degrees from normal to the optical axis (F2), 35 degrees from normal to the optical axis (F3), 55 degrees from normal to the optical axis (F4), and 75 degrees from normal to the optical axis (F5).

BRIEF DESCRIPTION OF THE TABLES

Table 1 includes an Optical Design Prescription in accordance with a first example embodiment.

It is here noted that the Glass code=xxxxxx.yyyyyy describes the refractive index (xxxxxx) and dispersion (yyyyyy). For example: 516800.641672 means that the

refractive index $nd=1.517$ and the dispersion $vd=64.2$, each for the “d-line”, where the “d-line”= 587.5618 d Yellow helium line He. This formula applies also to Tables 4, 7 and 10.

Table 2 includes Aspheric Sag Data Relative to Best Fit Sphere (SAG<20 μm) in accordance with the first example embodiment.

Table 3 includes quantitative data for a Design of an aspheric element E7 that enables multiple order astigmatism correction in accordance with the first example embodiment.

Table 4 includes an Optical Design Prescription in accordance with a second example embodiment.

Table 5 includes Aspheric Sag Data Relative to Best Fit Sphere (SAG<17 μm) in accordance with the second example embodiment.

Table 6 includes quantitative data for a Design of an aspheric element E7 that enables multiple order astigmatism correction in accordance with the second example embodiment.

Table 7 includes an Optical Design Prescription in accordance with a third example embodiment.

Table 8 includes Aspheric Sag Data Relative to Best Fit Sphere (SAG<17 μm) in accordance with the third example embodiment. The best fit sphere bfs in this example is about 9.3 mm (bfs=9.287 mm)

Table 9 includes quantitative data for a Design of an aspheric element E7 that enables multiple order astigmatism correction in accordance with the third example embodiment.

Table 10 includes an Optical Design Prescription in accordance with a fourth example embodiment.

Table 11 includes Aspheric Sag data for a first of two aspheric lens surfaces (A1) of a single aspheric lens element of a wide field of view optical assembly for a point action

camera or other digital video camera in accordance with the fourth example embodiment. In this example, the Data is Relative to a Best Fit Sphere of about 9.15 mm (Rbfs=9.153 mm).

Table 12 includes Aspheric Sag data for a second of two aspheric lens surfaces (A2) of the single aspheric lens element of the fourth example embodiment. In this example, the Data is Relative to Best Fit Sphere of about -37.5 mm (Rbfs= -37.5 mm). The minus sign is indicative of a convex image facing surface of the single aspheric lens element of the optical assembly in accordance with the fourth example embodiment.

Table 13 includes quantitative asphere analysis data for the object facing surface A1 of a single aspheric lens element E7(A)(A) that enables multiple order astigmatism correction in accordance with the fourth example embodiment.

Table 14 includes quantitative asphere analysis data for the image facing surface A2 of a single aspheric lens element E7(A)(A) that enables multiple order astigmatism correction in accordance with the fourth example embodiment.

Table 15 includes an Optical Design Prescription in accordance with a fifth example embodiment.

Table 16 includes Aspheric Sag data for an object side surface of the seventh lens element E7(A) of the fifth example embodiment. In this example, the Data is Relative to Best Fit Sphere of about -7.562 mm ($R_{bfs}=-7.562$ mm). The plus sign is indicative of a convex object facing surface of the aspheric seventh lens element E7(A), or the 13th lens surface, of the optical assembly in accordance with the fifth example embodiment.

Table 17 includes quantitative asphere analysis data for the object facing surface of the aspheric seventh lens element E7(A) that enables multiple order astigmatism correction in accordance with the fifth example embodiment.

TABLE 1

RDY	THI	RMD	GLA
>OBJ:	INFINITY	2500.000000	
1:	13.10000	1.750000	800999.349787
2:	3.30000	2.219000	
3:	40.00000	1.000000	496998.815947
4:	3.10000	1.390000	
5:	9.00000	2.450000	846670.237912
6:	-11.63500	0.606000	
STO:	INFINITY	0.200000	
8:	14.35000	1.500000	883003.408069
9:	-4.75000	0.359000	
10:	-4.03500	1.000000	846670.237912
11:	3.95000	2.745000	618000.633335
12:	-5.22500	0.100000	
13:	8.33000	1.800000	516800.641673
SLB:	“A1”		
ASP:			
A:	-.902607E-03	B: -.512165E-04	C: 0.149690E-04
E:	0.561297E-07		D: -.154499E-05
14:	-37.50000	0.100000	
15:	INFINITY	1.000000	516800.641673
16:	INFINITY	2.681803	
17:	INFINITY	0.500000	516800.641673
18:	INFINITY	0.400000	
IMG:	INFINITY	0.000000	

SPECIFICATION DATA					
FNO	2.70000				
DIM	MM				
WL	650.00	586.00	486.00	450.00	
WTW	1	1	1	1	
XAN	0.00000	0.00000	0.00000	0.00000	0.00000
YAN	0.00000	15.00000	35.00000	55.00000	75.00000

TABLE 2

ASPHERIC EQUATION			
$Z = \frac{(CURV)_Y^2}{1 + (1 - (1 + K) + (A)Y^4 + (B)Y^6 + (C)Y^8 + (D)Y^{10} + (E)Y^{12})^{1/2}}$			
WHERE THE ASPHERIC COEFFICIENTS ARE AS FOLLOWS:			
A: -.902607E-03			
B: -.0512165E-04			
C: 0.149690E-04			
D: -.154499E-05			
E: 0.561297E-07			
Y	ASPH SAG (Z)	SPHERE SAG	SAG DIFFERENCE
0.000000	0.000000	0.000000	0.000000
0.132000	0.001192	0.001046	-0.000146
0.264000	0.004764	0.004184	-0.000580
0.396000	0.010711	0.009418	-0.001293
0.528000	0.019021	0.016750	-0.002271
0.660000	0.029679	0.026187	-0.003492
0.792000	0.042663	0.037736	-0.004927
0.924000	0.057947	0.051405	-0.006541
1.056000	0.075499	0.067205	-0.008294
1.188000	0.095284	0.085149	-0.010135
1.320000	0.117262	0.105250	-0.012013
1.452000	0.141393	0.127524	-0.013869
1.584000	0.167632	0.151988	-0.015644
1.716000	0.195939	0.178664	-0.017275
1.848000	0.226272	0.207572	-0.018700
1.980000	0.258593	0.238737	-0.019856
2.112000	0.292861	0.272184	-0.020677
2.244000	0.329035	0.307942	-0.021094
2.376000	0.367070	0.346042	-0.021028
2.508000	0.406911	0.386518	-0.020393
2.640000	0.448494	0.429406	-0.019087
2.772000	0.491752	0.474747	-0.017005
2.904000	0.536630	0.522582	-0.014048
3.036000	0.583117	0.572957	-0.010159
3.168000	0.631312	0.625924	-0.005389
3.300000	0.681534	0.681534	0.000000

TABLE 3

Height (Y)	Aspheric Sag (um)	Height (Y)	Aspheric Slope (um/mm)
0.000	0.000	0	0
0.132	-0.146	0.132	-1.106060606
0.264	-0.580	0.264	-3.287878788
0.396	-1.293	0.396	-5.401515152
0.528	-2.271	0.528	-7.409090909
0.660	-3.492	0.66	-9.25
0.792	-4.927	0.792	-10.87121212
0.924	-6.541	0.924	-12.22727273
1.056	-8.294	1.056	-13.28030303
1.188	-10.135	1.188	-13.9469697
1.320	-12.013	1.32	-14.22727273
1.452	-13.869	1.452	-14.06060606
1.584	-15.644	1.584	-13.4469697
1.716	-17.275	1.716	-12.35606061
1.848	-18.700	1.848	-10.79545455
1.980	-19.856	1.98	-8.757575758
2.112	-20.677	2.112	-6.21969697
2.244	-21.094	2.244	-3.159090909
2.376	-21.028	2.376	0.5
2.508	-20.393	2.508	4.810606061
2.640	-19.087	2.64	9.893939394
2.772	-17.005	2.772	15.77272727
2.904	-14.048	2.904	22.40151515
3.036	-10.159	3.036	29.46212121
3.168	-5.389	3.168	36.13636364
3.300	0.000	3.3	40.82575758

TABLE 4

	RDY	THI	GLA
OBJ:	INFINITY	2500.000000	
1:	10.25000	1.500000	729157.546800
2:	3.15000	1.802000	
3:	6.25000	1.000000	729157.546800
4:	2.24000	1.029000	
5:	11.23500	3.220000	808095.227608
6:	INFINITY	0.250000	
STO:	INFINITY	0.257000	
8:	-102.50000	1.225000	729157.546800
9:	-4.20000	0.100000	
10:	8.55000	1.710000	922860.188969
11:	3.72500	2.200000	618000.633335
12:	-29.92000	0.806000	
>13:	8.00971	1.500000	496999.815459
SLB:	"A1"		
ASP:			
A:	-.170738E-02	B: 0.959932E-04	C: -.862671E-05 D: 0.442436E-06
14:	-100.00000	0.250000	
15:	INFINITY	0.500000	516330.641420
16:	INFINITY	2.050000	
17:	INFINITY	0.500000	516330.641420
18:	INFINITY	0.400000	
19:	INFINITY	0.000000	
IMG:	INFINITY	0.000000	

TABLE 4-continued

FNO	2.70000				
DIM	MM				
WL	650.00	586.00	486.00	450.00	
WTW	1	1	1	1	
XAN	0.00000	0.00000	0.00000	0.00000	0.00000
YAN	0.00000	15.00000	35.00000	55.00000	75.00000
VUY	0.00000	0.00000	0.15000	0.25000	0.40000
VLY	0.00000	0.00000	0.15000	0.25000	0.40000

TABLE 5

ASPHERIC EQUATION			
$Z = \frac{(\text{CURV})_Y^2}{1 + (1 - (1 + K)(\text{CURV})^2 Y^2)^{1/2}} + (A)Y^4 + (B)Y^6 + (C)Y^8 + (D)Y^{10}$			
RADIUS OF BEST SPHERE = 9.447			
WHERE THE ASPHERIC COEFFICIENTS ARE AS FOLLOWS:			
A: -0.170738E-02			
B: 0.959932E-04			
C: -0.862671E-05			
D: 0.442436E-06			
Y	ASPH SAG	SPHERE SAG	SAG DIFFERENCE
0.000000	0.000000	0.000000	0.000000
0.115000	0.000825	0.000700	-0.000125
0.230000	0.003298	0.002800	-0.000498
0.345000	0.007409	0.006302	-0.001107
0.460000	0.013144	0.011207	-0.001938
0.575000	0.020483	0.017516	-0.002966
0.690000	0.029399	0.025233	-0.004165
0.805000	0.039863	0.034362	-0.005501
0.920000	0.051843	0.044906	-0.006936
1.035000	0.065300	0.056871	-0.008430
1.150000	0.080198	0.070261	-0.009937
1.265000	0.096493	0.085082	-0.011411
1.380000	0.114145	0.101343	-0.012802
1.495000	0.133109	0.119049	-0.014060
1.610000	0.153340	0.138210	-0.015131
1.725000	0.174794	0.158834	-0.015961
1.840000	0.197425	0.180931	-0.016494
1.955000	0.221188	0.204512	-0.016676
2.070000	0.246038	0.229588	-0.016450
2.185000	0.271933	0.256171	-0.015762
2.300000	0.298836	0.284274	-0.014561
2.415000	0.326717	0.313913	-0.012805
2.530000	0.355562	0.345100	-0.010461
2.645000	0.385376	0.377853	-0.007523
2.760000	0.416200	0.412189	-0.004012
2.875000	0.448125	0.448125	0.000000

TABLE 6

15	Height (Y)	Aspheric Sag (um)	Height (Y)	Aspheric Slope (um/mm)
	0.000	0.000	0.000	0.000
	0.115	-0.125	0.115	-1.087
	0.230	-0.498	0.230	-3.243
	0.345	-1.107	0.345	-5.296
	0.460	-1.938	0.460	-7.226
	0.575	-2.966	0.575	-8.939
	0.690	-4.165	0.690	-10.426
	0.805	-5.501	0.805	-11.617
	0.920	-6.936	0.920	-12.478
	1.035	-8.430	1.035	-12.991
	1.150	-9.937	1.150	-13.104
	1.265	-11.411	1.265	-12.817
	1.380	-12.802	1.380	-12.096
	1.495	-14.060	1.495	-10.939
	1.610	-15.131	1.610	-9.313
	1.725	-15.961	1.725	-7.217
	1.840	-16.494	1.840	-4.635
	1.955	-16.676	1.955	-1.583
	2.070	-16.450	2.070	1.965
	2.185	-15.762	2.185	5.983
	2.300	-14.561	2.300	10.443
	2.415	-12.805	2.415	15.270
	2.530	-10.461	2.530	20.383
	2.645	-7.523	2.645	25.548
	2.760	-4.012	2.760	30.530
	2.875	0.000	2.875	34.887

TABLE 7

	RDY	THI	RMD	GLA
OBJ:	INFINITY	INFINITY		
1:	9.83500	1.500000	729157.546800	
2:	3.20000	1.915000		
3:	7.46000	1.000000	618000.633335	
4:	2.22000	1.028000		
5:	13.51456	3.000000	808095.227608	
6:	-15.50477	0.211500		
>STO:	INFINITY	0.285400		
8:	-48.00000	1.160000	882997.407651	
9:	-5.00000	0.285400		
10:	INFINITY	1.000000	808095.227608	
11:	3.70000	2.500000	618000.633335	
12:	-7.20000	0.250000		
13:	8.64801	1.500000	487490.702363	
SLB:	"A1"			
ASP:				
A:	-0.980930E-03	B: 0.996294E-04	C: -0.898355E-05	D: 0.464096E-06
14:	INFINITY	0.616800		

TABLE 7-continued

15:	INFINITY	0.500000	516330.641420		
16:	INFINITY	2.647000			
17:	INFINITY	0.500000	516330.641420		
18:	INFINITY	0.400000			
IMG:	INFINITY	0.000000			

SPECIFICATION DATA

FNO	2.70000				
DIM	MM				
WL	650.00	600.00	550.00	500.00	450.00
REF	3				
WTW	1	1	1	1	1
XAN	0.00000	0.00000	0.00000	0.00000	0.00000
YAN	0.00000	15.00000	35.00000	55.00000	75.00000
WTF	1.00000	2.00000	1.00000	1.00000	1.00000
VUY	0.00000	0.00000	0.15000	0.25000	0.40000
VLY	0.00000	0.00000	0.15000	0.25000	0.40000

TABLE 8

20

TABLE 9

ASPHERIC EQUATION				Height (Y)	Aspheric Sag (um)	Height (Y)	Aspheric Slope (um/mm)	
$Z = \frac{(\text{CURV})^2 Y^2}{1 + (1 - (1 + K)(\text{CURV})^2 Y^2)^{1/2}} + (A)Y^4 + (B)Y^6 + (C)Y^8 + (D)Y^{10}$				0.000	0.000	0	0	
ASPHERIC CONSTANTS A: -.980930E-03 B: 0.996294E-04 C: -.898355E-05 D: 0.464096E-06				25	0.115	-0.052	0.115	-0.452173913
Y	ASPH SAG	SPHERE SAG	SAG DIFFERENCE	25	0.230	-0.208	0.23	-1.356521739
0.000000	0.000000	0.000000	0.000000	25	0.345	-0.460	0.345	-2.191304348
0.115000	0.000764	0.000712	-0.000052	25	0.460	-0.800	0.46	-2.956521739
0.230000	0.003056	0.002849	-0.000208	25	0.575	-1.215	0.575	-3.608695652
0.345000	0.006871	0.006411	-0.000460	25	0.690	-1.690	0.69	-4.130434783
0.460000	0.012200	0.011400	-0.000800	25	0.805	-2.206	0.805	-4.486956522
0.575000	0.019033	0.017818	-0.001215	25	0.920	-2.746	0.92	-4.695652174
0.690000	0.027358	0.025669	-0.001690	25	1.035	-3.289	1.035	-4.72173913
0.805000	0.037162	0.034956	-0.002206	25	1.150	-3.814	1.15	-4.565217391
0.920000	0.048429	0.045683	-0.002746	25	1.265	-4.302	1.265	-4.243478261
1.035000	0.061144	0.057855	-0.003289	25	1.380	-4.734	1.38	-3.756521739
1.150000	0.075293	0.071479	-0.003814	25	1.495	-5.092	1.495	-3.113043478
1.265000	0.090862	0.086560	-0.004302	25	1.610	-5.357	1.61	-2.304347826
1.380000	0.107840	0.103106	-0.004734	25	1.725	-5.516	1.725	-1.382608696
1.495000	0.126216	0.121124	-0.005092	25	1.840	-5.554	1.84	-0.330434783
1.610000	0.145982	0.140624	-0.005357	25	1.955	-5.459	1.955	0.826086957
1.725000	0.167131	0.161615	-0.005516	25	2.070	-5.224	2.07	2.043478261
1.840000	0.189660	0.184107	-0.005554	25	2.185	-4.844	2.185	3.304347826
1.955000	0.213570	0.208111	-0.005459	25	2.300	-4.323	2.3	4.530434783
2.070000	0.238863	0.233639	-0.005224	25	2.415	-3.675	2.415	5.634782609
2.185000	0.265549	0.260705	-0.004844	25	2.530	-2.931	2.53	6.469565217
2.300000	0.293645	0.289322	-0.004323	25	2.645	-2.145	2.645	6.834782609
2.415000	0.323180	0.319505	-0.003675	25	2.760	-1.409	2.76	6.4
2.530000	0.354201	0.351270	-0.002931	25	2.875	-0.867	2.875	4.713043478
2.645000	0.386778	0.384633	-0.002145					
2.760000	0.421023	0.419614	-0.001409					
2.875000	0.457098	0.456230	-0.000867					

TABLE 10

>OBJ:	INFINITY	INFINITY	
1:	9.75000	1.600000	729157.546800
2:	3.05000	1.770000	
3:	6.30000	1.100000	729157.546800
4:	2.20000	0.968200	
5:	16.28500	2.617000	922860.188969
6:	-15.33500	0.256000	
STO:	INFINITY	0.294000	
8:	-16.50000	1.250000	618000.633335
9:	-3.95000	0.100000	
10:	50.00000	1.000000	922860.188969

TABLE 10-continued

11:	6.00000	2.30000	618000.633335	
12:	-7.46500	0.250000		
13:	9.64694	1.583000	496999.815459	
SLB:	"A1"			
ASP:				
A:	0.171027E-03	B: 0.780901E-04	C: -.170715E-05	D: -.594285E-06
14:	-18.95073	0.250000		
SLB:	"A2"			
ASP:				
A:	0.141992E-02	B: -.879215E-05	C: 0.135290E-04	D: -.133102E-05
15:	INFINITY	0.500000	516330.641420	
SLB:	"ircut"			
16:	INFINITY	3.736401		
17:	INFINITY	0.500000	516330.641420	
18:	INFINITY	0.400000		
IMG:	INFINITY	0.000000		

SPECIFICATION DATA

FNO	2.70000				
DIM	MM				
WL	650.00	600.00	550.00	500.00	450.00
REF	3				
WTW	1	1	1	1	1
XAN	0.00000	0.00000	0.00000	0.00000	0.00000
YAN	0.00000	15.00000	35.00000	55.00000	75.00000
WTF	1.00000	2.00000	1.00000	1.00000	1.00000

TABLE 11

ASPHERIC EQUATION			
$Z = \frac{(CURV)_Y^2}{1 + (1 - (1 + K)(CURV)^2 Y^2)^{1/2}} + (A)Y^4 + (B)Y^6 + (C)Y^8 + (D)Y^{10}$			
ASPHERIC CONSTANTS			
A: 0.171027E-03			
B: 0.780901E-04			
C: -.170715E-05			
D: -.594285E-06			

TABLE 12

ASPHERIC EQUATION			
$Z = \frac{(CURV)_Y^2}{1 + (1 - (1 + K)(CURV)^2 Y^2)^{1/2}} + (A)Y^4 + (B)Y^6 + (C)Y^8 + (D)Y^{10}$			
ASPHERIC CONSTANTS			
A: 0.141992E-02			
B: -.879215E-05			
C: 0.135290E-04			
D: -.133102E-05			

Y	ASPH SAG	SPHERE SAG	SAG DIFFERENCE
0.00000	0.000000	0.000000	-0.005251
0.115000	0.000686	0.000722	-0.005214
0.230000	0.002743	0.002890	-0.005103
0.345000	0.006174	0.006504	-0.004920
0.460000	0.010982	0.011566	-0.004666
0.575000	0.017173	0.018079	-0.004345
0.690000	0.024755	0.026045	-0.003960
0.805000	0.033738	0.035469	-0.003520
0.920000	0.044138	0.046354	-0.003034
1.035000	0.055971	0.058706	-0.002516
1.150000	0.069262	0.072532	-0.001981
1.265000	0.084040	0.087838	-0.001453
1.380000	0.100337	0.104630	-0.000958
1.495000	0.118196	0.122919	-0.000527
1.610000	0.137660	0.142712	-0.000198
1.725000	0.158779	0.164020	-0.000009
1.840000	0.181603	0.186854	0.000000
1.955000	0.206181	0.211224	-0.000207
2.070000	0.232553	0.237145	-0.000658
2.185000	0.260740	0.264629	-0.001362
2.300000	0.290739	0.293691	-0.002299
2.415000	0.322498	0.324346	-0.003403
2.530000	0.355903	0.356611	-0.004542
2.645000	0.390747	0.390505	-0.005493
2.760000	0.426698	0.426045	-0.005904
2.875000	0.463253	0.463253	-0.005251

Y	ASPH SAG	SPHERE SAG	SAG DIFFERENCE
0.00000	0.000000	0.000000	0.000000
0.120000	-0.000380	-0.000192	0.000188
0.240000	-0.001515	-0.000768	0.000747
0.360000	-0.003396	-0.001728	0.001668
0.480000	-0.006005	-0.003072	0.002932
0.600000	-0.009317	-0.004800	0.004517
0.720000	-0.013301	-0.006913	0.006389
0.840000	-0.017919	-0.009409	0.008510
0.960000	-0.023123	-0.012290	0.010833
1.080000	-0.028860	-0.015555	0.013304
1.200000	-0.035063	-0.019205	0.015859
1.320000	-0.041660	-0.023239	0.018421
1.440000	-0.048563	-0.027658	0.020905
1.560000	-0.055674	-0.032462	0.023212
1.680000	-0.062880	-0.037651	0.025230
1.800000	-0.070056	-0.043225	0.026831
1.920000	-0.077066	-0.049184	0.027882
2.040000	-0.083766	-0.055529	0.028237
2.160000	-0.090017	-0.062259	0.027758
2.280000	-0.095693	-0.069376	0.026317
2.400000	-0.100705	-0.076878	0.023827
2.520000	-0.105031	-0.084767	0.020264
2.640000	-0.108758	-0.093043	0.015715
2.760000	-0.112139	-0.101705	0.010433
2.880000	-0.115670	-0.110755	0.004915
3.000000	-0.120192	-0.120192	0.000000

US 10,908,396 B2

15

TABLE 13

Height (Y)	Aspheric Sag (um)	Height (Y)	Aspheric Slope (um/mm)
0.000	-5.251	0	0.000
0.115	-5.214	0.115	0.322
0.230	-5.103	0.23	0.965
0.345	-4.920	0.345	1.591
0.460	-4.666	0.46	2.209
0.575	-4.345	0.575	2.791
0.690	-3.960	0.69	3.348
0.805	-3.520	0.805	3.826
0.920	-3.034	0.92	4.226
1.035	-2.516	1.035	4.504
1.150	-1.981	1.15	4.652
1.265	-1.453	1.265	4.591
1.380	-0.958	1.38	4.304
1.495	-0.527	1.495	3.748
1.610	-0.198	1.61	2.861
1.725	-0.009	1.725	1.643
1.840	0.000	1.84	0.078
1.955	-0.207	1.955	-1.800
2.070	-0.658	2.07	-3.922
2.185	-1.362	2.185	-6.122
2.300	-2.299	2.3	-8.148
2.415	-3.403	2.415	-9.600
2.530	-4.542	2.53	-9.904
2.645	-5.493	2.645	-8.270
2.760	-5.904	2.76	-3.574
2.875	-5.251	2.875	5.678

16

TABLE 14-continued

Height (Y)	Aspheric Sag (um)	Height (Y)	Aspheric Slope (um/mm)
0.480	2.932	0.48	10.533
0.600	4.517	0.6	13.208
0.720	6.389	0.72	15.600
0.840	8.51	0.84	17.675
0.960	10.833	0.96	19.358
1.080	13.304	1.08	20.592
1.200	15.859	1.2	21.292
1.320	18.421	1.32	21.350
1.440	20.905	1.44	20.700
1.560	23.212	1.56	19.225
1.680	25.23	1.68	16.817
1.800	26.831	1.8	13.342
1.920	27.882	1.92	8.758
2.040	28.237	2.04	2.958
2.160	27.758	2.16	-3.992
2.280	26.317	2.28	-12.008
2.400	23.827	2.4	-20.750
2.520	20.264	2.52	-29.692
2.640	15.715	2.64	-37.908
2.760	10.433	2.76	-44.017
2.880	4.915	2.88	-45.983
3.000	0	3	-40.958

TABLE 15

	RDY	THI	GLA	
>OBJ:	INFINITY	2500.000000		
1:	14.37500	1.100000	772495.495905	
2:	3.18000	2.250000		
3:	32.50000	1.000000	617998.634167	
4:	4.25000	1.114000		
5:	15.65000	1.485000	922867.188955	
6:	-45.75000	0.250000		
7:	8.00000	2.625000	772495.495905	
8:	-6.75000	0.255000		
STO:	INFINITY	0.374000		
10:	-7.25000	1.025000	755205.275474	
11:	3.45000	2.565000	617998.634167	
12:	-6.10000	0.250000		
13:	6.95581	1.500000	516330.641420	
ASP:				
K:	0.000000			
CUF:	0.000000			
A:	-0.119131E-02	B: 0.678174E-04	C: -0.675836E-05	D: 0.315392E-06
14:	INFINITY	0.650000		
15:	INFINITY	0.700000	516330.641420	
16:	INFINITY	3.757000		
17:	INFINITY	0.500000	516330.641420	
18:	INFINITY	0.400000		
19:	INFINITY	0.000000		
IMG:	INFINITY	0.000000		

SPECIFICATION DATA					
FNO	2.70000				
DIM	MM				
WL	650.00	586.00	486.00	450.00	
WTW	1	1	1	1	
XAN	0.00000	0.00000	0.00000	0.00000	0.00000
YAN	0.00000	15.00000	35.00000	55.00000	75.00000

TABLE 14

Height (Y)	Aspheric Sag (um)	Height (Y)	Aspheric Slope (um/mm)
0.000	0	0	0.000
0.120	0.188	0.12	1.567
0.240	0.747	0.24	4.658
0.360	1.668	0.36	7.675

60

65

TABLE 16

ASPHERIC EQUATION			
$Z = \frac{(CURV)^2}{1 + (1 - (1 + K)(CURV)^2 Y^2)^{1/2}} + (A)Y^4 + (B)Y^6 + (C)Y^8 + (D)Y^{10}$			
WHERE THE ASPHERIC COEFFICIENTS ARE AS FOLLOWS:			
A: -0.119131E-02			
B: 0.678174E-04			
C: -0.675836E-05			
D: 0.315392E-06			
CURVATURE OF BEST SPHERE = 0.132246			
RADIUS OF BEST SPHERE = 7.562			
Y	ASPH SAG	SPHERE SAG	SAG DIFFERENCE
0.000000	0.000000	0.000000	0.000000
0.104000	0.000774	0.000712	-0.000062
0.208000	0.003095	0.002848	-0.000247
0.312000	0.006960	0.006409	-0.000551
0.416000	0.012363	0.011398	-0.000965
0.520000	0.019296	0.017817	-0.001479
0.624000	0.027750	0.025669	-0.002080
0.728000	0.037713	0.034960	-0.002753
0.832000	0.049175	0.045694	-0.003480
0.936000	0.062120	0.057878	-0.004242
1.040000	0.076535	0.071519	-0.005016
1.144000	0.092405	0.086625	-0.005781
1.248000	0.109715	0.103204	-0.006511
1.352000	0.128450	0.121266	-0.007183
1.456000	0.148593	0.140823	-0.007770
1.560000	0.170130	0.161886	-0.008244
1.664000	0.193044	0.184467	-0.008577
1.768000	0.217321	0.208581	-0.008740
1.872000	0.242943	0.234243	-0.008700
1.976000	0.269895	0.261468	-0.008427
2.080000	0.298162	0.290276	-0.007886
2.184000	0.327727	0.320683	-0.007044
2.288000	0.358577	0.352711	-0.005866
2.392000	0.390700	0.386381	-0.004319
2.496000	0.424088	0.421716	-0.002372
2.600000	0.458741	0.458741	0.000000

TABLE 17

Height (Y)	Aspheric Sag (um)	Height (Y)	Aspheric Slope (um/mm)
0.000	0.000	0.000	0.000
0.104	-0.062	0.104	-0.596
0.208	-0.247	0.208	-1.779
0.312	-0.550	0.312	-2.913
0.416	-0.964	0.416	-3.981
0.520	-1.478	0.520	-4.942
0.624	-2.078	0.624	-5.769
0.728	-2.751	0.728	-6.471
0.832	-3.477	0.832	-6.981
0.936	-4.237	0.936	-7.308
1.040	-5.011	1.040	-7.442
1.144	-5.774	1.144	-7.337
1.248	-6.504	1.248	-7.019
1.352	-7.176	1.352	-6.462
1.456	-7.761	1.456	-5.625
1.560	-8.235	1.560	-4.558
1.664	-8.567	1.664	-3.192
1.768	-8.729	1.768	-1.558
1.872	-8.690	1.872	0.375
1.976	-8.416	1.976	2.635
2.080	-7.876	2.080	5.192
2.184	-7.034	2.184	8.096
2.288	-5.858	2.288	11.308
2.392	-4.313	2.392	14.856
2.496	-2.368	2.496	18.702
2.600	0.000	2.600	22.769

DETAILED DESCRIPTIONS OF THE EMBODIMENTS

An optical assembly including an aspheric surface among multiple lens elements is provided for a digital camera that captures images having a wide field of view in excess of 120 degrees. The optical assembly includes, from object end to image end, first and second optical groups separated by an aperture stop. Images are provided with TV distortion that is less than 16. The first optical group in this embodiment includes four or more lens elements, including a first lens element having a largest diameter among the multiple lens elements to collect light at the wide field of view, and including an ultimate positive lens element configured to compensate for residual oblique aberrational error. The second optical group in this embodiment includes a doublet, which is configured to compensate for oblique aberrational error, and an aspheric lens element, which is configured to compensate for astigmatism error.

In an alternative embodiment including three optical groups that provides wide field images in excess of 120 degree with TV distortion that is less than 16, the first optical group includes the first two or three lenses configured to collect rays of light over a wide field of view in excess of 120 degrees, the second optical group includes one or two lenses configured to compensate for oblique aberrations on the object side of the aperture stop, and the third optical group includes the final doublet and aspheric lens element on the image side of the aperture stop that compensate for astigmatism and oblique aberrations.

In certain embodiments, the optical assembly may be for a digital camera having a wide field of view in excess of 135 degrees.

In certain embodiments, one or both of an ultimate or penultimate lens element of the second optical group may have an aspheric departure configured to compensate for the astigmatism error.

In certain embodiments, only the ultimate lens element has an aspheric departure. In certain embodiments, only the object facing side of the ultimate lens element has an aspheric departure.

The optical assembly may include seven (or more) lens elements in certain embodiments, while the first optical group may include four (or more) lens elements. The second optical group may in certain embodiments include, from object side to image side, a doublet and a singlet. The singlet may have a biconvex or convexo-planar or convexo-quasi-planar lens configuration. The doublet may include, from object side to image side, a biconcave or quasi-plano-concave or plano-concave lens coupled to a biconvex or convexo-quasi-planar or convexo-planar lens.

The first optical group may include two or more convexo-concave or meniscus lenses in certain embodiments. The first optical group may include one or more biconvex lenses. In certain embodiments, the first optical group may include two or more biconvex lenses.

In certain embodiments, the optical assembly may include a third optical group disposed between the first and second optical groups. The third optical group may include a biconvex lens.

The lateral chromatic aberration of the optical assembly may be less than approximately two pixels. The lateral chromatic aberration may be less than approximately three microns.

In certain embodiments, the optical assembly includes only one aspheric lens element. In certain embodiments, the optical assembly only includes one aspheric lens surface.

In certain embodiments, the optical assembly may be configured for a point action camera or other digital video camera.

In certain embodiments, each of the multiple lens elements of the optical assembly other than the first lens element may each have approximately a same diameter. In certain embodiments, a first lens of a doublet of the second optical group has the approximately same diameter as each of the multiple lens elements other than the first lens element, while a second lens of the doublet has a smaller diameter than the first lens of the doublet.

In certain embodiments, a ratio of total track length to effective focal length for the optical assembly is less than 8. The total track length (hereinafter "TTL") is defined as total distance from a first surface of a first lens of the optical assembly to an image plane, and effective focal length (hereinafter "EFL") is defined as optical focal length of the optical assembly. In certain embodiments, the TTL/EFL ratio is less than 7.5. In certain embodiments, the TTL/EFL ratio is less than 7.

A wide field of view digital camera is provided that includes an optical assembly that exhibits low distortion and low TTL/EFL, as described in any of the embodiments herein. The wide field of view digital camera also includes an image sensor disposed approximately at a focal plane of the optical assembly, and a digital camera housing including electronics and a user interface, and containing the optical assembly and the image sensor in optically effective relative disposition. The digital camera may be configured as a point action camera or other digital video camera.

Another optical assembly is provided for a point action camera or other digital video camera having a wide field of view that includes multiple lens elements including an aspheric surface. The optical assembly is configured to provide a wide field of view, which is in certain embodiments in excess of 150 degrees. The optical assembly includes an inward field curvature of less than approximately 75 microns. In certain embodiments, the inward field curvature is less than approximately 60 microns. In other embodiments, the inward field curvature is less than approximately 50 microns or less.

Another optical assembly for a point action camera or other digital video camera having a wide field of view, comprising multiple lens elements, including an aspheric surface, configured to provide a field of view in excess of 150 degrees that comprises a longitudinal astigmatism of 0.7 mm or less.

Another optical assembly for a point action camera or other digital video camera having a wide field of view, comprising multiple lens elements, including an aspheric surface, configured to provide a field of view in excess of 150 degrees that comprises a ratio of total track length to effective focal length that is less than 8.

Another optical assembly for a point action camera or other digital video camera having a wide field of view, comprising multiple lens elements, including an aspheric surface with an approximately 30 microns or less sag and an approximately 25 microns/millimeter aspheric sag slope, configured to provide a field of view in excess of 150 degrees.

In certain embodiments, the longitudinal astigmatism comprises approximately 0.6 mm or less, or in other embodiments, approximately 0.5 mm or less, or approximately 0.3 mm or less, or approximately 0.2 mm or less, or approximately 0.1 mm or less in certain embodiments.

From object end to image end, an optical assembly in accordance with certain embodiments includes a first optical

group and a second optical group, wherein the first optical group is configured to collect light at a wide field of view and a second optical group is configured to correct distortion or astigmatism error or both. An aperture stop may be disposed between said first and second optical groups.

The second optical group may be configured to correct astigmatism error. The second optical group may include multiple lens elements including an ultimate or penultimate lens element that is configured with an aspheric departure to correct astigmatism error. In certain embodiments, the ultimate lens element of the optical lens assembly includes an aspheric departure. In certain embodiments, an object facing surface of the ultimate lens element has an aspheric departure. The optical assembly may include seven lens elements.

A second optical group (from object to image) may include four lens elements. The second optical group may include, from object side to image side, a first singlet, a doublet and a second singlet. The first singlet may include a biconvex or plano-convex or quasi-plano-convex lens. The second singlet may include a biconvex, or convexo-plano or convexo-quasi-plano lens.

The first optical group may include two or more convexo-concave or meniscus lenses. The first optical group may include a biconvex lens. The doublet may include in certain embodiments, from object side to image side, a biconcave lens and a biconvex lens.

A third optical group may be disposed between the first and second optical groups. The third optical group may include a biconvex lens.

The lateral chromatic aberration (LCA) of an optical assembly in accordance with certain embodiments may be less than approximately three pixels. The LCA in certain embodiments may be less than approximately two pixels. The LCA in certain embodiments may be less than approximately five microns or less than approximately three microns.

An optical assembly in accordance with certain embodiments may include a single aspheric lens element, which may be the only aspheric lens element within the optical assembly. In these embodiments, lens elements other than the single aspheric lens element have spherical or planar lens surfaces, or both, each without significant aspheric departures.

An optical assembly in accordance with certain embodiments may include a single aspheric lens surface, which may be the only aspheric lens surface within the optical assembly. In these embodiments, lens surfaces other than the single aspheric lens surface have spherical or planar lens surfaces, or both, each without significant aspheric departures.

Another optical assembly in accordance with certain embodiments includes only one aspheric lens element. Subsets of these embodiments include lens elements that have two aspheric surfaces, i.e., both the object facing surface and the image facing surface of a same aspheric lens element are configured with aspheric departure. Other subsets of these embodiments include lens elements that have only a single aspheric lens surface, i.e., either the object facing surface or the image facing surface is aspheric, while the other surface does not have significant aspheric departure or to tolerance one of the lens surfaces is spherical.

Another optical assembly in accordance with certain embodiments includes only one aspheric lens surface. This optical assembly includes a single aspheric lens surface configured to correct astigmatism.

A digital point action camera or other digital video camera is provided that includes any of the optical assemblies described herein, along with an image sensor disposed

approximately at a focal plane of the optical assembly. A digital camera housing includes electronics and a user interface, and contains and durably affixes the optical assembly and the image sensor in optically effective relative disposition. The housing may be waterproof and may include shock absorbing material to withstand shocks such as may be caused by collisions or sudden acceleration or high speed or high frequency jitter.

An aspheric lens element is provided for an optical assembly of a wide field of view point action camera or other digital video camera in accordance with any of the embodiments of optical assemblies or point action camera or other digital video cameras described herein. In certain embodiments, one or both surfaces has an approximately 30 microns or less sag and an approximately 25 microns/millimeter or less aspheric sag slope. In a specific embodiment, only a single lens surface has aspheric departure. In another embodiment, both the image facing surface and the object facing surface of the same lens element include aspheric departures.

In addition, combinations of features described herein, above and/or below, with regard to different embodiments form additional embodiments of optical assemblies, point action camera or other digital video cameras and aspheric lens elements.

Several example embodiments are described below and are illustrated in the accompanying drawings. In certain embodiments, a seventh lens element, from object to image, is the only lens element of the optical assembly that includes one or two surfaces aspheric surfaces. In certain embodiments, the object facing surface of the seventh lens element or the thirteenth surface of the optical assembly has an aspheric departure, while the image facing surface of the seventh lens element or the fourteenth surface of the optical assembly may have an aspheric surface also, or a spherical surface that may be slightly curved or quasi-planar, or may have a significant spherical curvature, or may be approximately planar. Alternatively, the fourteenth surface may be the only surface of the optical assembly that has an aspheric departure, while the thirteenth surface has a planar, quasi-planar or convex spherical curvature. The single lens element of the optical assembly that has aspheric departure may be the fifth or sixth lens element rather than the seventh, or may be instead the first or the second lens element. In these alternative embodiments, one or both surfaces of the single aspheric lens element may have aspheric departure, and in those embodiments wherein only a single lens surface has aspheric departure, the other surface of the aspheric lens element may be planar, or may be quasi-planar or slightly spherically curved, or may be significantly spherical.

First Example Embodiment

Referring to the example illustrated schematically in FIG. 1, and in the plots shown in FIGS. 2-7, and quantitatively at Tables 1-3, an optical assembly in accordance with certain embodiments may include a first lens group G1 and a second lens group G2. The first lens group G1 is disposed nearer to the object or scene that is being imaged than the second lens group G2. The second lens group G2 is disposed between the first lens group G1 and the image plane. Together, the first and second optical groups G1 and G2 cover a wide field of view, i.e., greater than 120 degrees, or in certain embodiment greater than 135 degrees and in others greater than 150 degrees and even in certain embodiments significantly close to 180 degrees. Alternatively, there may be three, or more,

lens groups instead of two, or the entire optical assembly may form a single lens group.

Generally speaking, the lens group G1 is configured to collect wide field rays, whereas the lens group G2 is configured to correct aberrations, and particularly distortion and astigmatism. However, the configuration can include contributions within the second lens group G2 to the collection of wide field rays and/or contributions within the first lens group G1 to the correction of aberrations such as distortion and astigmatism. For example, one or more lens elements of the group G2 may have a reduced diameter or a material or shape characteristic tending to facilitate collection of wide angle rays and/or a surface of a lens element of group G1 may have aspheric departure configured to assist in the correction of aberrations.

In the embodiment illustrated schematically at FIG. 1, the first lens group G1 includes three lenses from furthest to closest to the image plane, namely lens E1, lens E2 and lens E3.

Lens E1 comprises a convex-concave lens, or meniscus, in the example embodiment of FIG. 1. This means that the object facing surface of lens E1, which is the first surface of the optical assembly of the example embodiment of FIG. 1, has a convex shape tending to converge incident light, while the image facing surface of lens E1, which is the second surface of the optical assembly of FIG. 1, has a concave shape tending to diverge incident light. The lens E1 has a nominal overall optical power. This lens E1 may have an extended radius outside of an active radius which assists and facilitates a wide field of view feature of the optical assembly of FIG. 1. The physical dimensional characteristics of the lenses of the optical assemblies of the embodiments described herein generally permit configuring the wide field of view optical assembly within a lens barrel of a point action camera or other digital video camera and/or within a compact or miniature point action camera or other digital video camera.

The lens E1 may be fixed, i.e., relative to the image plane and other fixed elements of the system. Alternatively, the lens E1 may be movable to permit focusing by automatic or manual actuation using, e.g., a voice coil motor, piezo, or MEMS coupled to the lens E1. In this alternative embodiment, a feedback based on analysis of image data received at the image sensor by a processor, an image processor or an image signal processor (ISP). Another optical group may include one or more movable lenses, mirrors or other optics. In this context, a zoom feature may also be provided optically and/or electronically. Thus, embodiments of point action camera or other digital video cameras described herein include fixed focus, autofocus and autofocus zoom point action camera or other digital video cameras. In certain embodiments, the lens E1 has an index of refraction at the sodium d line (i.e., 587.5618 nm) at around 1.8, or $n(\lambda_d) \approx 1.8$. The dispersion may be around 35. In certain embodiments, the lens E1 may be obtained from the CDGM glass company of type HZLAF66. The lens E1 has little overall optical power, as mentioned, and serves primarily as a collecting lens that facilitates the wide field of view of the optical assembly.

Lens E1 has a larger diameter in order to collect rays at outer edges of a wide field of view and reduces the field angle for the subsequent lenses of the optical assembly. Lens group G1, and particularly lenses E1 and E2, generally serves to reduce the ray angle for the group G2 lens elements. Lens group G2 generally serves to correct distortion and astigmatism errors. The overall optical design of the second lens group generally serves to correct distortion,

while the aspheric thirteenth surface of the optical assembly of FIG. 1 generally serves to correct astigmatism.

The lens element E2 of the lens group G1 has a convexo-concave or plano-concave or quasi-plano-concave structure in the example of FIG. 1. In other words the object facing surface of the lens E2, which is the third surface of the optical assembly of FIG. 1, has a slightly or nominally convex or planar surface shape, while the image facing surface of the lens E2, or the fourth surface of the optical assembly of FIG. 1, has a concave shape tending to diverge incident light rays. In certain embodiments, the lens element E2 may be obtained from the CDGM glass company of type HFK61. The lens E2 has a negative overall focal length and serves as a diverging optical element. In certain embodiments, the lens E2 has an index of refraction at the sodium d line (i.e., 587.5618 nm) at around 1.5, or $n(\lambda_d) \approx 1.5$. The dispersion may be around 82. In certain embodiments, the lens element E2 may be obtained from the CDGM glass company of type HZF52A.

The lens element E3 comprises a functionally converging optical element and has a biconvex structure in the illustrative example of FIG. 1. Both the object facing and image facing surfaces of the lens element E3, which are the fifth and sixth surfaces of the optical assembly that is illustrated schematically in the example embodiment of FIG. 1, are convex and tend to converge incident light. The lens element E3 has a strongest positive optical power among the elements of group 1. In certain embodiments, the lens E3 has an index of refraction at the sodium d line (i.e., 587.5618 nm) at around 1.85, or $n(\lambda_d) \approx 1.8$. The dispersion may be around 24. In certain embodiments, the lens element E3 may be obtained from the CDGM glass company of type HZF52A.

The lens group G1 has an overall negative focal length, e.g., in one embodiment EFL (G1) ≈ -28.4 mm, and serves to collect and converge incoming light from an object, group of objects or a foreground, background or overall scene, including a wide field of view greater than 90 degrees in the horizontal and/or vertical dimensions, and in certain embodiments greater than 120 degrees, and typically 135-150 degrees or more in the horizontal and/or 110-120 degrees or more in the vertical. The first two lens elements E1 and E2 have a combined focal length in one example of around -2.6 mm, while the lens element E3 has a focal length of around $+6.3$ mm. The rays received from the optical group G1 are not greatly further optically reduced by optical group G2, which has a positive focal length, e.g., in one embodiment EFL (G2) ≈ 5.8 mm. Optical group G2 serves to correct distortion and astigmatism before images are captured by an image sensor of a point action camera or other digital video camera for viewing on a display, and/or for recording or storage or for data analysis, monitoring, security or surveillance and/or for transmission and/or image processing.

The lens group G1 may include two lenses or four lenses, or even one lens or five or more lenses. An aperture stop is disposed between the lens element E3 and the lens element E4 in the example of FIG. 1. Alternatively, an aperture stop is disposed between the lens groups G1 and G2, whatever number of optical elements each may comprise. An aperture stop may be located differently and there may be one or more additional apertures within the optical assembly.

The optical group G2 in the example of FIG. 1 includes three or four lens elements, depending on whether one considers a lens doublet to comprise a single lens element or two lens elements. The lens group G2 in the example of FIG. 1 includes lens E4, lens doublet E5/E6 and lens E7.

Lens E4 may have a biconvex, plano-convex or quasi-plano-convex shape. That is, the object facing surface of lens E4, which is the seventh surface of the optical assembly of FIG. 1, has a slightly or nominally convex or planar shape, while the image facing surface of the lens E4, which is the eighth surface of the optical assembly of FIG. 1, has a convex shape tending to converge incident light. The lens E4 is disposed in the example of FIG. 1 just on the image side of an aperture stop. The lens E4 has an overall positive focal length and is functionally convergent of incident light after that light has been collected by the lens group G1, has passed through the aperture and has become incident upon the object facing surface of lens E4, or surface 7 of the overall optical assembly of FIG. 1. In certain embodiments, the lens E4 has an index of refraction at the sodium d line (i.e., 587.5618 nm) at around 1.88, or $n(\lambda_d) \approx 1.9$. The dispersion may be around 41. In certain embodiments, the lens E4 may be obtained from the CDGM glass company as type HZLAF68B.

The lens E5 has a biconcave shape while the lens E6 has a biconvex shape. The ninth and tenth surfaces of the optical assembly of FIG. 1, or both of the two surfaces of lens E5, have a concave shape tending to diverge incident light rays, while the eleventh and twelfth surfaces of the optical assembly of FIG. 1, or both of the two surfaces of the lens E6, have a convex shape. The twelfth surface of the optical assembly may be strongly convex and tend to relatively strongly converge incident light.

The lenses E5 and E6 are coupled together to form a doublet. In certain embodiments, the image facing surface of lens E5 and the object facing surface of the lens E6 are in direct contact. An adhesive or other standard process of coupling constituent lenses of a doublet may be used, which process may depend upon the materials of the constituent lenses E5 and E6. In certain embodiments, the lens E5 has an index of refraction at the sodium d line (i.e., 587.5618 nm) at around 1.85, or $n(\lambda_d) \approx 1.8$. The dispersion of lens E5 may be around 24. In certain embodiments, the lens E6 has $n(\lambda_d) \approx 1.6$. In certain embodiments, the lens E6 has a dispersion around 63. In certain embodiments, the lens E5 may be obtained from the CDGM glass company of type HZF52A, while the lens E6 may be obtained from the OHARA corporation of type SPHM52. The doublet overall serves to configure the light rays before becoming incident upon the lens element E7(A).

Referring to FIG. 1, there a significant advantage to having an optical assembly in accordance with certain embodiments, wherein the E5/E6 doublet, which is shown disposed between the fourth singlet and the asphere in FIG. 1, is configured to correct oblique aberrations. Alternatively, the doublet may be disposed between lens E3 and lens E4.

The lens element E7(A) has a biconvex, or convexo-quasi-plano, or convexo-plano shape. The object facing surface of the lens E7(A), which is the thirteenth surface of the optical assembly of FIG. 1, has a strongly convex shape which relatively strongly converges incident light. The thirteenth surface of the optical assembly of FIG. 1 is also aspheric in this example embodiment. The image facing surface of the lens E7(A), which is the fourteenth surface of the optical assembly of FIG. 1, has a slightly or nominally convex or planar shape.

Between the fourteenth surface of the optical assembly of FIG. 1 and the image plane are an IR filter and a cover plate. The IR filter serves to cut out infrared light that can otherwise interfere with the function of a silicon-based image sensor to collect visible image data. The cover plate serves to protect the image sensor from incident dust, water,

oxygen or other corrosive or artifact producing elements that may be present in the ambient space surrounding the point action camera or other digital video camera. A separate baffle may be included to reduce the amount of stray light that may become otherwise incident upon the image sensor. Each of the seventh lens, the IR filter and the cover glass may comprise NBK7 Schott glass, such that each may have a refractive index around 1.5 and a dispersion around 64.

The aspheric departure of the thirteenth optical surface of the optical assembly in the example embodiment of FIG. 1 serves to advantageously significantly reduce astigmatism errors that would be otherwise inherent in a wide field of view system without an aspheric surface in accordance with embodiments described herein. Moreover, the advantageous design of the optical assembly of FIG. 1, and specifically of the second optical group G2, and more specifically of the lens element E7(A), and still more specifically of the object facing surface of the lens element E7(A) permits the optical assembly in this embodiment to have a more efficient manufacturability than conventional designs that contain multiple aspheric surfaces and/or multiple aspheric lens or other optical elements.

FIG. 1 has $H(\theta)/f^*\theta=1.078$. In another similar embodiment $H(\theta)/f^*\theta=1.174$. In other embodiments, $H(\theta)/f^*\theta$ is greater than 1.2, 1.3, 1.4 and even 1.5, and in other embodiments $H(\theta)/f^*\theta$ is approximately 1.

Table 1 generally discloses certain specifications of the example optical assembly that is represented schematically in side view in FIG. 1. Table 1 lists RDY, which is the radius of curvature of the optical surface. Table 1 lists THI which are the thicknesses of the lens elements and airspaces in sequential order. The row 1 thickness described the thickness of the first lens element in this embodiment. The row 2 thickness describes the thickness of the spacing between the first and second lens elements. The spacing may include air, or for example dry air or nitrogen gas or vacuum or a noble gas, or a liquid such as water. The row 3 describes the thickness of the second lens element. The row 4 describes the air spacing between the second and third lens elements in this example. The row 5 describes the thickness of the third lens element. The row 6 describes the thickness of the spacing between the third lens element and the aperture stop. The row STO describes the thickness of the air spacing between the aperture stop and the fourth lens element. The row 8 describes the thickness of the fourth lens element. The row 9 describes the air spacing between the fourth lens element and the fifth lens element. The row 10 describes the thickness of the fifth lens element. The row 11 describes the thickness of the sixth lens element. There is no air thickness between the fifth and sixth lens elements described in the Table 1, because the fifth and sixth lens elements form a doublet in this example, wherein the tenth and eleventh surfaces of the optical assembly are substantially in contact with each other. The row 12 describes the thickness of the spacing between the sixth lens and the seventh lens in this example. The row 13 describes the thickness of the seventh lens. The row 14 describes the spacing between the seventh lens and the IR cut filter. The row 15 describes the thickness of the IR cut filter. The row 16 describes the spacing thickness between the IR cut filter and the cover plate (e.g., glass or polymer) for the image sensor. The row 18 describes the spacing between the cover plate and the image sensor. The row IMG describes the image sensor plane.

Seven lens elements E1-E7(A) make up the example optical assembly that is illustrated schematically at FIG. 1, while a point action camera or other digital video camera includes the IR cut filter, cover glass and an image sensor

packaged within a housing along with the optical assembly. The first three lens elements E1-E3 form a first optical group G1 (or E1-E2 form G1 and E3 alone forms G2), while the final four lens elements E4-E7(A) form a second optical group G2 (or E4-E7(A) form a third optical group G3).

The radii of curvature are, in the single aspheric surface example, approximately, i.e., within manufacturing tolerances, the same everywhere along the optical surface for each of the first through twelfth and fourteenth surfaces of the optical assembly of FIG. 1. That is, the coefficients A thru E are each approximately zero for 13 out of 14 surfaces of the embodiment of FIG. 1 in the single aspheric surface example of a wide field of view optical assembly for a point action camera or other digital video camera or compact camera, or miniature camera module or other camera or camera module including a single aspheric lens element, or only one aspheric lens element, and exhibiting advantageously low distortion and low astigmatism. The departures from spherical of the thirteenth surface are represented in Table 1 as nonzero coefficients A-E, which correspond mathematically to the coefficients indicated in the formula that is provided above the Table 2 in the illustration.

This formula with the non-zero coefficients A-E as indicated in Table 1 represent the aspheric curvature of the surface 13 of the example optical assembly that is illustrated schematically in FIG. 1.

The specification data of Table 1 represent the first order software inputs to complete the optical model. FNO is F number and is approximately 2.7 in this example. DIM is the dimension which is mm. WL are the wavelengths which are in nanometers, and are 650 nm (red), 586 nm (yellow), 486 nm (blue) and 450 nm (violet) in this example. WTF is the spectral wavelength weighting. XAN and YAN are the x and y field angles. VUY and VLY are the vignetting factors for each field. WID indicates that the example of FIG. 1 is for a wide field of view or WFOV.

Table 2 shows aspherical and spherical SAG data for the thirteenth surface of the optical assembly of FIG. 1. These data may fit to a formula for SAG for a spherical conic section, e.g., $z(r)=r^2/[R+(R^2-r^2)^{1/2}]$, wherein for a best sphere of radius 8.330, as in an example embodiment, and a curvature of best sphere, R, corresponding to 0.120047, the different actual radii of curvature, r, for a surface with aspheric departure produce SAG differences compared to values for a true spherical conic section. These aspherical SAGs for an example thirteenth surface are compared with would be true spherical SAGs in Table 2 for different distances Y from the vertex center at Y=0 to Y=3.3 (mm) in steps of 0.132 (mm).

The aspheric sags in Table 3 that are plotted in FIG. 2 are the aspheric sag difference numbers shown in Table 2, which are the differences from the best fit sphere sags of the aspheric surface 13. Table 3 also shows values of aspheric slope that are plotted in FIG. 3.

FIG. 2 is a plot of aspheric sag versus radial distance, or the data provided in the second column from the left in Table 3, for the 13th optical surface from the object in the example optical assembly illustrated schematically in FIG. 1. The aspheric sag for the 13th surface in this example has a sag minimum between approximately -20 μm and -25 μm between 2 mm and 2.5 mm from the center of the 13th lens surface. The sag is approximately zero at the center and at the edge about 3 mm from the center. The sag plot has a width of approximately 1.5 mm at -13 μm . The sag has points of inflection between approximately 1 mm and 1.5 mm and 3 mm from the center of the 13th lens surface.

FIG. 3 is a plot of slope of aspheric sag versus radial distance, or the data provided in the fourth column from the left (or rightmost column) in Table 3, for the 13th optical surface in the example optical assembly illustrated schematically in FIG. 1. The aspheric slope has a minimum between $-10 \mu\text{m}/\text{mm}$ and $-20 \mu\text{m}/\text{mm}$ between 1 mm and 1.5 mm from the center of the 13th lens surface. The aspheric slope has a largest value at the outer edge of the 13th lens surface of around $40 \mu\text{m}/\text{mm}$. The aspheric slope has points of inflection between around 0.5 mm and 1 mm and between 2.5 mm and 3 mm from the center of the 13th lens surface.

While the asphere may be disposed on other optical surfaces and/or on other lens elements in other embodiments, the 13th surface is selected in the embodiment illustrated by example in FIG. 1 at least in part due to the advantageous ratio of the chief ray and marginal ray heights at that location within the optical assembly. In certain embodiments, one or more of the 1st, 2nd, 3rd, 4th, 12th 13th and/or 14th optical surface is/are selected to have aspheric departure over the 5th-11th surfaces in part due to the ratio of real chief and marginal ray heights, e.g., of about 2.8 or more, and because ratios nearer to one tend to provide reduced or even nominal aberrational correction, e.g., of astigmatism, when aspheric departure is accordingly provided in corresponding locations within the optical assemblies of such embodiments.

An image sensor, e.g., a charge coupled device (CCD) or a complementary metal oxide semiconductor (CMOS) device is disposed at the image plane in embodiments that include an assembled compact, miniature, point action or point of view camera. The optical assembly may be configured for later assembly with an image sensor. In this sense, the first and second optical groups may be manufactured or assembled separately and later combined, and in general, parts of the optical assembly or point action camera or other digital video camera may be separately manufactured or assembled and it is possible in certain embodiments to replace, restore or realign optical group G1, optical group G2 and/or certain other groups of one or more of the lenses or other optical components of the optical assembly or point action camera or other digital video camera.

FIGS. 4A-4E respectively show plots of tangential ray aberrations respectively at 75°, 55°, 35°, 15° and 0° for the wide field of view objective assembly illustrated in FIG. 1. FIGS. 4A-4E and 5A-5E show five pairs of graphs, where each pair illustrates the tangential and sagittal rays at one of these five field angles. The independent variable (horizontal axis) is the relative coordinate of a ray over the pupil diameter. The vertical axis has a maximum distance measure of +/-approximately three microns or a spread of six microns or less over a 150 degree field (which is clearly advantageous over a conventional system that may have, e.g., a 20 micron spread. The vertical axis therefore represents the transverse ray aberration (ray interception distance from the ideal focal point) of a ray passing through a specific relative pupil position. Graphs 4A-4E (tangential plane) and 5A-5E (sagittal plane) show the transverse ray aberrations for an on-axis ray bundle as the bundle is refracted through the lens elements of the optical assembly of FIG. 1.

In FIGS. 4E and 5E, the performance of the embodiment of FIG. 1 is illustrated for a ray bundle at zero degrees with the optical axis. Graphs 4D and 5D show the performance of the optical assembly of FIG. 1 for a ray bundle when the light source is moved providing an incident angle of 15 degrees with the optical axis. Graphs 4C and 5C show the performance of the optical assembly of FIG. 1 for a ray bundle when the light source is moved providing an incident

angle of 35 degrees with the optical axis. Graphs 4B and 5B show the performance of the optical assembly of FIG. 1 for a ray bundle when the light source is moved providing an incident angle of 55 degrees with the optical axis. Graphs 4A and 5A show the performance of the optical assembly of FIG. 1 for a ray bundle when the light source is moved providing an incident angle of 75 degrees with the optical axis.

LCA is demonstrated in FIGS. 4A-4E as the separation of the three rays which correspond to four different colors or wavelengths, which are in this example 650 nm, 550 nm, 486 nm and 450 nm.

FIG. 6 illustrates the polychromatic diffraction modulation transfer function (MTF) plots of contrast vs. spatial frequency for pixels lying normal to the optical axis (F1), 15 degrees from normal to the optical axis (F2), 35 degrees from normal to the optical axis (F3), 55 degrees from normal to the optical axis (F4), and 75 degrees from normal to the optical axis (F5). Those pixels lying at 75 degrees from normal to the optical axis would be those at the edge of a point action camera or other digital video camera assembly having a field of view of 150 degrees. A point action camera or other digital video camera is provided herein having a wide field of view of 150 degrees or more. Advantageously high areas under these curves are noticeable in FIG. 6. In accordance with FIGS. 4A-4E, the plots of FIG. 6 demonstrate that the image quality of the embodiment of FIG. 1 is advantageous.

FIG. 7 shows astigmatic field curves for tangential (e.g., vertical) fan (T) and sagittal (e.g., horizontal) fan (S) for the optical assembly illustrated schematically at FIG. 1 as well as the tangential fan (T') and sagittal fan (S') for a similar optical assembly except that the thirteenth optical surface has no aspheric departure. FIG. 7 shows that without the asphere, the longitudinal astigmatism (T'-S')-0.75 mm in this example. With an aspheric departure in accordance with certain embodiments, e.g., on the thirteenth surface, such as has been described and illustrated in the example of FIG. 1, the longitudinal astigmatism reduces to approximately zero. Moreover, the field curvature is approximately flat, e.g., <50 microns, across the sensor format.

An optical design in accordance with the first embodiment exhibits an advantageous ratio of total track length to effective focal length, or TTL/EFL<8. The specific example illustrated schematically in FIG. 1 has a calculated TTL to EFL ratio of 7.79 in air, i.e., in physical geometrical units for the track and focal lengths, i.e., where the unity index of refraction or $n=1$ is used throughout in the calculation. This example ratio can also be calculated optically by taking into account the indices of refraction of the glasses, polymers and/or other solid, liquid and/or gaseous materials of the cover plate element. When the TTL/EFL ratio is calculated optically as an optical track length over an optical focal length that takes into account the index of refraction of the material that forms the cover glass element (otherwise sometimes deemed part of a separate image sensor component to be coupled to the optical assembly), then the ratio is calculated to be approximately 7.98, which is based on an optical track length of 21.8 mm and an optical focal length of 2.73 mm.

The optical assembly of the first example embodiments illustrated schematically in side view at FIG. 1 exhibits a ratio of TTL/EFL that is less than 8. The embodiment of FIG. 1 has a ratio of TTL/EFL that is less than 7.8 in air, and may be approximately 7.79 in air. The specific TTL/EFL ratio of 7.8 for the specific non-limiting example embodiment illustrated at FIG. 1 is based on total track lengths

typically between 18 and 26 and on effective focal lengths typically between 2.5 and 3.0. In certain embodiments, a ratio of TTL to EFL of 7.79 is achieved with a total track length of 21.8 mm and an effective focal length of 2.7 mm. An effective focal length of the first group G1 that includes the first three lens elements E1, E2 and E3 may be between approximately -20 and -40, or between -24 and -34, or between -26 and -32, or approximately -28, or approximately -29 or -28.4. Among the lens elements of the first group G1, the first two lens elements E1 and E2 may have a combined focal length between -1 and -4, or between -1.5 and -3.5, or between -2 and -3, or around -2.6 or -2.7 or -2.65 mm, while the third element E3 may have a focal length between approximately +4 and +9, or between +5 and +8, or between +6 and +7, or around +6.5 or +6.3 or +6.34. The lens Group G2 including the lenses E4-E7(A) may have an effective focal length between +2 and +10, or between +3 and +9, or between +4 and +8, or between +5 and +7 or around +6 or around +5.8 or +5.84.

In this context, referring again to Table 1, which generally discloses certain specifications of the example optical assembly that is represented schematically in side view in FIG. 1, Table 1 lists radius of curvature (RDY) values for each of the fourteen optical surfaces, i.e., numbered 1-14 in the left hand column of Table 1, of the seven lens elements E1-E7(A) that make up the first and second optical groups G1, G2. Table 1 also lists thickness values (THI) for each of the lens elements and spacings between the lens elements, or of the distances between each adjacent optical surface in the optical assembly illustrated schematically in side view in FIG. 1. The optical assembly of FIG. 1 has a TTL/EFL ratio of about 7.79 in air, for a track length of approximately 21.8 mm and an effective focal length of approximately 2.7 mm. The effective focal length of the lens group G1 is -28.37 mm and that of the lens group G2 in this example is about 5.84 mm. The lens group G1 could be broken down into the first two lenses E1 and E2 which together have an effective (negative) focal length of about -2.65 mm, while the third lens E3 has an effective (positive) focal length of about 6.3 mm.

Second Example Embodiment

FIGS. 8-14 and Tables 4-6 illustrate schematically and quantitatively a second example embodiment. In some respects, the second embodiment is the same as the first embodiment or similar enough that the description above is incorporated here and not repeated. As with the first embodiment, the optical assembly illustrated schematically at FIG. 8 includes six or seven lens elements, wherein a first lens group G1 and a second lens group G2 are separated by an aperture stop disposed between the third and fourth lens elements E3 and E4, respectively. Another aperture may be disposed between the second and third lens elements E2 and E3, respectively, in certain embodiments. The optical assembly of FIG. 8 is configured to cover a wide field of view, i.e., greater than 120 degrees, or in certain embodiments greater than 135 degrees and in others greater than 150 degrees and even in certain embodiments 180 degrees, or even greater than 180 degrees depending on the degree of convex curvature of the first lens surface.

Generally speaking, the lens group G1 is configured to collect wide field rays, whereas the lens group G2 is configured to correct aberrations, and particularly distortion and astigmatism. However, the configuration can include contributions within the second lens group G2 to the collection of wide field rays and/or contributions within the first

lens group G1 to the correction of aberrations such as distortion and astigmatism. For example, one or more lens elements of the group G2 may have a reduced diameter or a material or shape characteristic tending to facilitate collection of wide angle rays and/or a surface of a lens element of group G1 may have aspheric departure configured to assist in the correction of aberrations such as distortion and astigmatism, and even higher order coma in certain embodiments. In certain embodiments, the combination of the lens groups G1 and G2 serve to provide wide field of view imaging with advantageously low distortion, while a single aspheric lens element serves to provide advantageously low astigmatism error characteristics for the optical assembly.

Lens E1 comprises a convex-concave lens, or meniscus, in the example embodiment of FIG. 8. This means that the object facing surface of lens E1, which is the first surface of the optical assembly of the example embodiment of FIG. 8, has a convex shape tending to converge incident light, while the image facing surface of lens E1, which is the second surface of the optical assembly of FIG. 8, has a concave shape tending to diverge incident light. The lens E1 has a nominal overall optical power. This lens E1 may have an extended radius outside of an active radius which assists and facilitates a wide field of view feature of the optical assembly of FIG. 8. The physical dimensional characteristics of the lenses of the optical assemblies of the embodiments described herein generally permit configuring the wide field of view optical assembly within a lens barrel of a point action camera or other digital video camera and/or within a compact or miniature point action camera or other digital video camera.

The lens E1 may be fixed, i.e., relative to the image plane and other fixed elements of the system. Alternatively, the lens E1 may be movable to permit focusing by automatic or manual actuation using, e.g., a voice coil motor, piezo, or MEMS coupled to the lens E1. In this alternative embodiment, a feedback based on analysis of image data received at the image sensor by a processor, an image processor or an image signal processor (ISP). Another optical group may include one or more movable lenses, mirrors or other optics. In this context, a zoom feature may also be provided optically and/or electronically. Thus, embodiments of point action camera or other digital video cameras described herein include fixed focus, autofocus and autofocus zoom point action camera or other digital video cameras. In certain embodiments, the lens E1 has an index of refraction at the sodium d line (i.e., 587.5618 nm) at around 1.8, or $n(\lambda, d) \approx 1.7$ or 1.73. The dispersion may be around 55 The lens E1 has little overall optical power, as mentioned, and serves primarily as a collecting lens that facilitates the wide field of view of the optical assembly.

Lens E1 has a larger diameter in order to collect rays at outer edges of a wide field of view and reduces the field angle for the subsequent lenses of the optical assembly. Lens group G1, and particularly lens E1 and E2, generally serves to reduce the ray angle for the group G2 lens elements. Lens group G2 generally serves to correct distortion and astigmatism errors. The overall optical design of the second lens group generally serves to correct distortion, while the aspheric thirteenth surface of the optical assembly of FIG. 8 generally serves to correct astigmatism.

The lens element E2 of the lens group G1 has a convex-concave or plano-concave or quasi-plano-concave structure in the example of FIG. 8. In other words the object facing surface of the lens E2, which is the third surface of the optical assembly of FIG. 8, has a slightly or nominally convex or planar surface shape, while the image facing

surface of the lens E2, or the fourth surface of the optical assembly of FIG. 8, has a concave shape tending to diverge incident light rays. The lens E2 has a negative overall focal length and serves as a diverging optical element. In certain embodiments, the lens E2 has an index of refraction at the sodium d line (i.e., 587.5618 nm) at around 1.7, or $n(\lambda,d) \approx 1.73$. The dispersion may be around 55. The lens element E3 comprises a functionally converging optical element and has a convexo-planar, or convexo-quasi-planar, or alternatively biconvex structure in the illustrative example of FIG. 8. The object facing surface of the lens element E3, which is the fifth surface of the optical assembly that is illustrated schematically in the example embodiment of FIG. 8, is convex and tends to converge incident light. The image facing surface of the lens element E3, which is the sixth surface of the optical assembly of FIG. 8, is planar or quasi-planar or only slightly curved convex or concave. The lens element E3 has a strongest positive optical power among the elements of the first optical group G1. In certain embodiments, the lens E3 has an index of refraction at the sodium d line (i.e., 587.5618 nm) at around 1.81, or $n(\lambda,d) \approx 1.8$. The dispersion may be around 23. In certain embodiments, the lens element E3 may be obtained from the CDGM glass company of type HZF52A.

The lens group G1 serves to collect and converge incoming light from an object, group of objects or a foreground, background or overall scene, including a wide field of view greater than 90 degrees in the horizontal and/or vertical dimensions, and in certain embodiments greater than 120 degrees, and typically 135-150 degrees or more in the horizontal and/or 110-120 degrees or more in the vertical. The rays received from the optical group G1 are not greatly further optically reduced by optical group G2, which serves to correct distortion and astigmatism before images are captured by an image sensor of a point action camera or other digital video camera for viewing on a display, and/or for recording or storage or for data analysis, monitoring, security or surveillance and/or for transmission and/or image processing.

The lens group G1 may include two lenses or four lenses, or even one lens or five or more lenses. An aperture stop is disposed between the lens element E3 and the lens element E4 in the example of FIG. 8. Alternatively, an aperture stop is disposed between the lens groups G1 and G2, whatever number of optical elements each may comprise. An aperture stop may be located differently and there may be one or more additional apertures within the optical assembly.

The optical group G2 in the example of FIG. 8 includes three or four lens elements, depending on whether one considers a lens doublet to comprise a single lens element or two lens elements. The lens group G2 in the example of FIG. 8 includes lens E4, lens doublet E5/E6 and lens E7.

Lens E4 may have a biconvex, plano-convex or quasi-plano-convex shape. That is, the object facing surface of lens E4, which is the seventh surface of the optical assembly of FIG. 8, has a slightly or nominally convex or planar shape, while the image facing surface of the lens E4, which is the eighth surface of the optical assembly of FIG. 8, has a convex shape tending to converge incident light. The lens E4 is disposed in the example of FIG. 8 just on the image side of an aperture stop. The lens E4 has an overall positive focal length and is functionally convergent of incident light after that light has been collected by the lens group G1, has passed through the aperture and has become incident upon the object facing surface of lens E4, or surface 7 of the overall optical assembly of FIG. 8. In certain embodiments, the lens E4 has an index of refraction at the sodium d line (i.e.,

587.5618 nm) at around 1.7, or $n(\lambda,d) \approx 1.73$. The dispersion may be around 55. The lens E5 has a biconcave shape while the lens E6 has a biconvex shape. The ninth and tenth surfaces of the optical assembly of FIG. 8, or both of the two surfaces of lens E5, have a concave shape tending to diverge incident light rays, while the eleventh and twelfth surfaces of the optical assembly of FIG. 8, or both of the two surfaces of the lens E6, have a convex shape. The twelfth surface of the optical assembly may be strongly convex and tend to relatively strongly converge incident light.

The lenses E5 and E6 are coupled together to form a doublet. In certain embodiments, the image facing surface of lens E5 and the object facing surface of the lens E6 are in direct contact. An adhesive or other standard process of coupling constituent lenses of a doublet may be used, which process may depend upon the materials of the constituent lenses E5 and E6. In certain embodiments, the lens E5 has an index of refraction at the sodium d line (i.e., 587.5618 nm) at around 1.9, or $n(\lambda,d) \approx 1.93$. The dispersion of lens E5 may be around 19. In certain embodiments, the lens E6 has $n(\lambda,d) \approx 1.6$. In certain embodiments, the lens E6 has a dispersion around 63. In certain embodiments, the lens E5 may be obtained from the CDGM glass company of type HZF52A, while the lens E6 may be obtained from the OHARA corporation of type SPHM52. The doublet overall serves to configure the light rays before becoming incident upon the lens element E7(A).

Referring to FIG. 8, there is a significant advantage to having an optical assembly in accordance with certain embodiments, wherein the E5/E6 doublet, which is shown disposed between the fourth singlet and the asphere in FIG. 8, is configured to correct oblique aberrations. Alternatively, the doublet may be disposed between lens E3 and lens E4.

The lens element E7(A) has a biconvex, or convexo-quasi-plano, or convexo-plano shape. The object facing surface of the lens E7(A), which is the thirteenth surface of the optical assembly of FIG. 8, has a strongly convex shape which relatively strongly converges incident light. The thirteenth surface of the optical assembly of FIG. 8 is also aspheric in this example embodiment. The image facing surface of the lens E7(A), which is the fourteenth surface of the optical assembly of FIG. 8, has a slightly or nominally convex or planar shape.

Between the fourteenth surface of the optical assembly of FIG. 8 and the image plane are an IR filter and a cover plate. The IR filter serves to cut out infrared light that can otherwise interfere with the function of a silicon-based image sensor to collect visible image data. The cover plate serves to protect the image sensor from incident dust, water, oxygen or other corrosive or artifact producing elements that may be present in the ambient space surrounding the point action camera or other digital video camera. A separate baffle may be included to reduce the amount of stray light that may become otherwise incident upon the image sensor. Each of the seventh lens, the IR filter and the cover glass may comprise NBK7 Schott glass.

The aspheric departure of the thirteenth optical surface of the optical assembly in the example embodiment of FIG. 8 serves to advantageously significantly reduce astigmatism errors that would be otherwise inherent in a wide field of view system without an aspheric surface in accordance with embodiments described herein. Moreover, the advantageous design of the optical assembly of FIG. 8, and specifically of the second optical group G2, and more specifically of the lens element E7(A), and still more specifically of the object facing surface of the lens element E7(A) permits the optical assembly in this embodiment to have a more efficient

manufacturability than conventional designs that contain multiple aspheric surfaces and/or multiple aspheric lens or other optical elements.

The optical assembly illustrated schematically at FIG. 8 has $H(\theta)/f^*\theta=1.078$. In another similar embodiment $H(\theta)/f^*\theta=1.174$. In other embodiments, $H(\theta)/f^*\theta$ is greater than 1.2, 1.3, 1.4 and even 1.5, and in other embodiments $H(\theta)/f^*\theta$ is approximately 1.

Table 4 generally discloses certain specifications of the example optical assembly that is represented schematically in side view in FIG. 8. Table 4 lists RDY, which is the radius of curvature of the optical surface. Table 4 lists THI which are the thicknesses of the lens elements and airspaces in sequential order. The row 1 thickness described the thickness of the first lens element in this embodiment. The row 2 thickness describes the thickness of the spacing between the first and second lens elements. The spacing may include air, or for example dry air or nitrogen gas or vacuum or a noble gas, or a liquid such as water. The row 3 describes the thickness of the second lens element. The row 4 describes the air spacing between the second and third lens elements in this example. The row 5 describes the thickness of the third lens element. The row 6 describes the thickness of the spacing between the third lens element and the aperture stop. The row STO describes the thickness of the air spacing between the aperture stop and the fourth lens element. The row 8 describes the thickness of the fourth lens element. The row 9 describes the air spacing between the fourth lens element and the fifth lens element. The row 10 describes the thickness of the fifth lens element. The row 11 describes the thickness of the sixth lens element. There is no air thickness between the fifth and sixth lens elements described in the Table 1, because the fifth and sixth lens elements form a doublet in this example, wherein the tenth and eleventh surfaces of the optical assembly are substantially in contact with each other. The row 12 describes the thickness of the spacing between the sixth lens and the seventh lens in this example. The row 13 describes the thickness of the seventh lens. The row 14 describes the spacing between the seventh lens and the IR cut filter. The row 15 describes the thickness of the IR cut filter. The row 16 describes the spacing thickness between the IR cut filter and the cover plate (e.g., glass or polymer) for the image sensor. The row 18 describes the spacing between the cover plate and the image sensor. The row IMG describes the image sensor plane.

Seven lens elements E1-E7(A) make up the optical assembly, while a point action camera or other digital video camera includes the IR cut filter, cover glass and image sensor along with the optical assembly. The first two or three lens elements form a first optical group G1, while with either the third lens element forms a second group G2 and the final four lens elements form a third optical group G3 or the final four lens elements form the second optical group G2, respectively.

The radii of curvature are, in the single aspheric surface example, approximately, i.e., within manufacturing tolerances, the same everywhere along the optical surface for each of the first thru twelfth and fourteenth surfaces of the optical assembly of FIG. 8. That is, the coefficients A thru E are each approximately zero for 13 out of 14 surfaces of the embodiment of FIG. 8 in the single aspheric surface example. The departures from spherical of the thirteenth surface are represented in Table 4 as nonzero coefficients A-E, which correspond mathematically to the coefficients indicated in the formula provided between Table 1 and Table 2.

This formula with the non-zero coefficients A-E as indicated in Table 4 represents the aspheric curvature of the surface 13 of the example optical assembly that is illustrated schematically in FIG. 8.

The specification data of Table 4 represent the first order software inputs to complete the optical model. FNO is F number and is approximately 2.7 in this example. DIM is the dimension which is mm. WL are the wavelengths which are in nanometers, and are 650 nm (red), 586 nm (yellow), 486 nm (blue) and 450 nm (violet) in this example. WTF is the spectral wavelength weighting. XAN and YAN are the x and y field angles. VUY and VLY are the vignetting factors for each field. WID indicates that the example of FIG. 8 is for a wide field of view or WFOV.

Table 5 shows aspherical and spherical SAG data for the thirteenth surface of the optical assembly of FIG. 8. These data fit to the formula for SAG for a spherical conic section that is provided between Table 1 and Table 2, or that may be generally or alternatively written as: $z(r)=-r^2/[R+(R^2-r^2)^{1/2}]$; wherein for a best sphere of radius 8.330, as in an example embodiment, and a curvature of best sphere, R, corresponding to 0.120047, the different actual radii of curvature, r, for a surface with aspheric departure produce SAG differences compared to values for a true spherical conic section. These aspherical SAGs for an example thirteenth surface are compared with would be true spherical SAGs in Table 4 for different distances Y from the vertex center at Y=0 to Y=3.3 (mm) in steps of 0.132 (mm).

The aspheric sags in Table 6 that are plotted in FIG. 9 are the aspheric sag difference numbers shown in Table 5, which are the difference from the best fit sphere sags of the aspheric surface 13. Table 6 also shows values of aspheric slope that are plotted in FIG. 10.

While the asphere may be disposed on other optical surfaces and/or on other lens elements in other embodiments, the 13th surface is selected in the embodiment illustrated by example in FIG. 8 at least in part due to the advantageous ratio of the chief ray and marginal ray heights at that location within the optical assembly. In certain embodiments, one or more of the 1st, 2nd, 3rd, 4th, 12th 13th and/or 14th optical surface is/are selected to have aspheric departure over the 5th-11th surfaces in part due to the ratio of real chief and marginal ray heights, e.g., of about 2.8 or more, and because ratios nearer to one tend to provide reduced or even nominal aberrational correction, e.g., of astigmatism, when aspheric departure is accordingly provided in corresponding locations within the optical assemblies of such embodiments.

An image sensor, e.g., a charge coupled device (CCD) or a complementary metal oxide semiconductor (CMOS) device is disposed at the image plane in embodiments that include an assembled compact, miniature, point action or point of view camera. The optical assembly may be configured for later assembly with an image sensor. In this sense, the first and second optical groups may be manufactured or assembled separately and later combined, and in general, parts of the optical assembly or point action camera or other digital video camera may be separately manufactured or assembled and it is possible in certain embodiments to replace, restore or realign optical group G1, optical group G2 and/or certain other groups of one or more of the lenses or other optical components of the optical assembly or point action camera or other digital video camera.

FIGS. 11A-11E respectively show plots of tangential ray aberrations respectively at 75°, 55°, 35°, 15° and 0° for the wide field of view objective assembly illustrated in FIG. 8. FIGS. 11A-11E and 12A-12E show five pairs of graphs,

where each pair illustrates the tangential and sagittal rays at one of these five field angles. The independent variable (horizontal axis) is the relative coordinate of a ray over the pupil diameter. The vertical axis has a maximum distance measure of +/-approximately three microns or a spread of six microns or less over a 150 degree field (which is clearly advantageous over a conventional system that may have, e.g., a 20 micron spread. The vertical axis therefore represents the transverse ray aberration (ray interception distance from the ideal focal point) of a ray passing through a specific relative pupil position. Graphs 11A-11E (tangential plane) and 12A-12E (sagittal plane) show the transverse ray aberrations for an on-axis ray bundle as the bundle is refracted through the lens elements of the optical assembly of FIG. 8.

In FIGS. 11E and 12E, the performance of the embodiment of FIG. 8 is illustrated for a ray bundle at zero degrees with the optical axis. Graphs 11D and 12D show the performance of the optical assembly of FIG. 8 for a ray bundle when the light source is moved providing an incident angle of 15 degrees with the optical axis. Graphs 11C and 12C show the performance of the optical assembly of FIG. 8 for a ray bundle when the light source is moved providing an incident angle of 35 degrees with the optical axis. Graphs 11B and 12B show the performance of the optical assembly of FIG. 8 for a ray bundle when the light source is moved providing an incident angle of 55 degrees with the optical axis. Graphs 11A and 12A show the performance of the optical assembly of FIG. 8 for a ray bundle when the light source is moved providing an incident angle of 75 degrees with the optical axis.

LCA is demonstrated in FIGS. 11A-11E as the separation of the three rays which correspond to four different colors or wavelengths, which are in this example 650 nm, 550 nm, 486 nm and 450 nm.

FIG. 13 illustrates the polychromatic diffraction modulation transfer function (MTF) plots of contrast vs. spatial frequency for pixels lying normal to the optical axis (F1), 15 degrees from normal to the optical axis (F2), 35 degrees from normal to the optical axis (F3), 55 degrees from normal to the optical axis (F4), and 75 degrees from normal to the optical axis (F5). Those pixels lying at 75 degrees from normal to the optical axis would be those at the edge of a point action camera or other digital video camera assembly having a field of view of 150 degrees. A point action camera or other digital video camera is provided herein having a wide field of view of 150 degrees or more. Advantageously high areas under these curves are noticeable in FIG. 13. In accordance with FIGS. 11A-11E, the plots of FIG. 13 demonstrate that the image quality of the embodiment of FIG. 8 is advantageous.

FIG. 14 shows astigmatic field curves for tangential (e.g., vertical) fan (T) and sagittal (e.g., horizontal) fan (S) for the optical assembly illustrated schematically at FIG. 8 as well as the tangential fan (T') and sagittal fan (S') for a similar optical assembly except that the thirteenth optical surface has no aspheric departure. FIG. 14 shows that without the asphere, the longitudinal astigmatism (T'-S')-0.75 mm in this example. With an aspheric departure in accordance with certain embodiments, e.g., on the thirteenth surface, such as has been described and illustrated in the example of FIG. 8, the longitudinal astigmatism reduces to approximately zero. Moreover, the field curvature is approximately flat, e.g., <50 microns, across the sensor format.

Both of the embodiments illustrated at FIGS. 1 and 8 exhibit ratios of TTL/EFL that are less than 8. The embodiment of FIG. 8 has a ratio of TTL/EFL that is less than 7.5, and may be approximately 7 or approximately 7.4 or 7.43.

The specific TTL/EFL ratios of 7.8 and 7.4 for the specific non-limiting example embodiments illustrated at FIGS. 1 and 8 are based on total track lengths typically between 18 and 21 and on effective focal lengths typically between 2.5 and 3.0. In certain embodiments, a ratio of TTL to EFL of 7.5 is achieved with a total track length of 20.3 and an effective focal length of 2.7. An effective focal length of the first group G1 that includes the first three lens elements E1, E2 and E3 may be between approximately -120 and -60, or between -110 and -70, or between -100 and -80, or approximately -90, or approximately -92 or -91.6. Among the lens elements of the first group G1, the first two lens elements E1 and E2 may have a combined focal length between -1 and -4, or between -1.5 and -3.5, or between -2 and -3, or around -2.5 or -2 or -2.3, while the third element E3 may have a focal length between approximately +3 and +8, or between +4 and +7, or between +5 and +6, or around +5.5 or +5.3.

In this context, referring again to Table 4, which generally discloses certain specifications of the example optical assembly that is represented schematically in side view in FIG. 8, Table 4 lists radius of curvature (RDY) values for each of the fourteen optical surfaces, i.e., numbered 1-14 in the left hand column of Table 4, of the seven lens elements E1-E7(A) that make up the first and second optical groups G1, G2. Table 4 also lists thickness values (THI) for each of the lens elements and spacings between the lens elements, or of the distances between each adjacent optical surface in the optical assembly illustrated schematically in side view in FIG. 8. The optical assembly of FIG. 8 has a TTL/EFL ratio of about 7.4, for a track length of approximately 20.3 mm and an effective focal length of approximately 2.7 mm. The effective focal length of the lens group G1 is -91.6 mm and that of the lens group G2 in this example is about 6.1 mm. The lens group G1 could be broken down into the first two lenses E1 and E2 which together have an effective (negative) focal length of about -2.3 mm, while the third lens E3 has an effective (positive) focal length of about 5.3 mm.

Table 5 shows aspherical and spherical SAG data for the thirteenth surface of the optical assembly of FIG. 8. These data may fit to a formula for SAG for a spherical conic section, e.g., $z(r)=r^2/[R+(R^2-r^2)^{1/2}]$, wherein for a best sphere of radius 8.330, as in an example embodiment, and a curvature of best sphere, R, corresponding to 0.120047, the different actual radii of curvature, r, for a surface with aspheric departure produce SAG differences compared to values for a true spherical conic section. These aspherical SAGs for an example thirteenth surface are compared with would be true spherical SAGs in Table 5 for different distances Y from the vertex center at Y=0 to Y=3.3 (mm) in steps of 0.132 (mm).

The aspheric sags in Table 6 that are plotted in FIG. 9 are the aspheric sag difference numbers shown in Table 5, which are the differences from the best fit sphere sags of the aspheric surface 13. Table 6 also shows values of aspheric slope that are plotted in FIG. 10.

FIG. 9 is a plot of aspheric sag versus radial distance, or the data provided in the second column from the left in Table 6, for the 13th optical surface from the object in the example optical assembly illustrated schematically in FIG. 8. The aspheric sag for the 13th surface in this example has a sag minimum between approximately -16 μ m and -18 μ m between 1.5 mm and 2.5 mm from the center of the 13th lens surface. The sag is approximately zero at the center and at the edge about 3 mm from the center. The sag plot has a width of approximately 1.5 mm at -8.0 μ m. The sag has

points of inflection at approximately 1.0 mm and 2.6 mm from the center of the 13th lens surface.

FIG. 10 is a plot of slope of aspheric sag versus radial distance, or the data provided in the fourth column from the left (or rightmost column) in Table 6, for the 13th optical surface in the example optical assembly illustrated schematically in FIG. 8. The aspheric slope has a minimum between $-10\ \mu\text{m}/\text{mm}$ and $-15\ \mu\text{m}/\text{mm}$ between 0.5 mm and 1.5 mm from the center of the 13th lens surface. The aspheric slope has a largest value at the outer edge of the 13th lens surface of between $30\ \mu\text{m}/\text{mm}$ and $40\ \mu\text{m}/\text{mm}$. The aspheric slope has points of inflection at around 0.5 mm and between 2 mm and 2.5 mm from the center of the 13th lens surface.

Certain embodiments include multiple lens elements that have one or both surfaces exhibiting some aspheric departure, including embodiments wherein each of the lens groups G1 and G2 (or G1 and G3 in the three lens group examples) has at least one aspheric lens element. However, an advantage of both of the first and second example embodiments illustrated schematically in FIGS. 1 and 8, respectively, involves ease of manufacturability compared with a design that might alternatively have an aspheric surface within both the first lens group G1 and the second lens group G2. For example, the first lens group G1 can be combined with the second lens group at any selected point in the process, and a versatile number of sources and optical alignment and assembly techniques may be available when only the single lens Group 2 includes one or more aspheric surfaces. If one divides the optical assembly into three lens groups G1 (including E1 and E2), G2 (including E3) and G3 (including E4, E5/E6 and E7(A)) then further versatility in manufacturing, alignment, assembly and optical application become more readily available.

In a three lens group example in accordance with the first or second embodiment, a focal length of group G1 may be negative and in certain embodiments between $-1\ \text{mm}$ and $-5\ \text{mm}$ and may be between $-2\ \text{mm}$ and $-3\ \text{mm}$, and may be approximately $-2\ \text{mm}$, $-2.5\ \text{mm}$ or $-3\ \text{mm}$, for example, $-2.3\ \text{mm}$. A focal length of group G2 (lens E3) may be positive and in certain embodiments between $+3\ \text{mm}$ and $+8\ \text{mm}$, and may be between $+4\ \text{mm}$ and $+7\ \text{mm}$, and may be between $+5\ \text{mm}$ and $+6\ \text{mm}$, and may be approximately $+5\ \text{mm}$, for example, $+5.3\ \text{mm}$. A focal length of group G3 may be positive and in certain embodiments less than $+12\ \text{mm}$, and may be between $+3\ \text{mm}$ and $+10\ \text{mm}$, and may be between $+4$ and $+8$, and may be between $+5$ and $+7$, and may be approximately $6\ \text{mm}$, e.g., $+6.1\ \text{mm}$.

Third Example Embodiment

A third example embodiment is illustrated at FIGS. 15-21 and Tables 7-9, respectively, schematically and quantitatively. Like the first two example embodiments, the third example embodiment has a ratio of total track length (TTL) to effective focal length (EFL) that is less than 8. The third example embodiment, like the first example embodiment, actually has a TTL/EFL ratio that is approximately 7, or that is between around 7.0 and 7.8, or between around 7.2 and 7.6, or between around 7.3 and 7.5 or approximately 7.4, or in a specific example, the ratio is around 7.43. The third embodiment utilizes a different mix of optical materials than either of the first and second embodiments. The basic layout of the first and second optical groups G1 and G2 which are separated by an aperture stop in FIG. 15 is configured to provide an advantageously low distortion. The seventh lens element (from object to image) E7 has at least one surface, e.g., the object facing surface or thirteenth surface of the

optical system, that has an aspheric departure that is configured to provide an advantageously low astigmatism error across the wide field of view of the optical assembly of the third example embodiment illustrated schematically at FIG. 15.

In the third example embodiment, the lens element E7 may have a convexo-planar or convexo-quasi-planar design as in the illustration of FIG. 15. The 14th optical surface of the lens assembly of FIG. 15 has a flatter shape than the 14th surface of the second embodiment. In other embodiments, E7 may have a plano-convex or quasi-plano-convex design, wherein the fourteenth surface of the third example optical assembly has an aspheric departure while the thirteenth surface does not. In certain embodiments, both the thirteenth and fourteenth surfaces have aspheric departure.

In another embodiment, the 12th surface or image facing surface of the lens element E6 has aspheric departure, while the 13th and 14th surfaces may both be spherical without aspheric departure, or may include one spherical surface and one planar or quasi-planar surface as in the illustration of FIG. 15, or may include one aspheric surface, or may both have significant aspheric departure. In other embodiments, the 1st, 2nd, 3rd or 4th lens surfaces of the optical assembly may have aspheric departure such that the optical assembly exhibits a wide field of view and both low distortion and low astigmatism, while the 13th and 14th surfaces may both be spherical without aspheric departure, or may include one spherical surface and one planar or quasi-planar surface as in the illustration of FIG. 15, or may include one aspheric surface, or may both have significant aspheric departure. In certain embodiments, only a single lens element of the optical assembly has aspheric departure. One or both surfaces of the single aspheric lens element may have aspheric departure. The example of FIG. 15 includes only a single aspheric lens surface, e.g., the 13th surface or object facing surface of the seventh lens element E7(A). In certain embodiments, only a single lens surface, e.g., the 1st, 2nd, 3rd, 4th, 12th, 13th, or 14th has aspheric departure. While any or all of the optical surfaces may have aspheric departure in alternative embodiments, those lens surfaces that are nearest the image or object tend to provide the most significant corrective capacities due to the greater differences between the chief and marginal ray heights at those positions within the wide field of view optical assembly of the third example embodiment.

A notable difference between the second and third example embodiments illustrated schematically in side view at FIGS. 8 and 15, respectively, with regard to the shapes of the lenses and/or lens surfaces, has to do with the third and fourth lens elements E3 and E4. The lens element E3 of FIG. 16 has a thicker biconvex shape than that illustrated schematically in FIG. 8. The lens element E4 of FIG. 15 has a meniscus shape that is concavo-convex or quasi-planar (slightly concave)-convex compared with the biconvex or quasi-planar (slightly convex)-convex design of the fourth lens element E4 of the example illustrated at FIG. 8.

The first lens group G1 of the third example embodiment of FIG. 15 includes two convexo-concave meniscus collecting lenses E1 and E2 and the third biconvex converging lens E3. The lens elements E4 through E7 of the second lens group G2 include, from nearest to aperture stop to nearest to image plane, the quasi-plano-convex meniscus lens E4, the doublet E5/E6 including a plano-concave lens E5 and a biconvex lens E6 that are substantially in contact at the 10th and 11th surfaces of the optical assembly of FIG. 15, and the aspheric lens element E7(A). The aspheric lens element E7(A) has a convexo-planar or convexo-quasi-planar shape

in this third example embodiment, while in the second example embodiment illustrated schematically in side view at FIG. 8 the lens element E7(A) has a biconvex design, or a convexo-quasi-planar shape wherein the 14th lens surface is flatter in the third example of FIG. 15 than in the second example of FIG. 8 even when in certain embodiments both can be termed convexo-quasi-planar.

There is a significant advantage to the location of the doublet E5/E6 between the lenses E4 and E7. Specifically, this location facilitates the correction of oblique aberrations. In alternative embodiments, the doublet is disposed on the image side of the aperture stop between E3 and E4, or in other embodiments on the object side of the aperture stop. In this embodiment, the lens element E7(A) is a plano-convex asphere, wherein S1 is aspheric and S2 is plano (wherein S1 and S2 are in this example the 13th and 14th optical surfaces of the lens assembly illustrated in FIG. 15).

The first two lenses E1 and E2 together have a negative focal length that may be between around -1 and -5, or between approximately -1.5 and -3.5 or -4, or between around -2 and -3, or about -2.5 or -2.6. The third lens E3 may have a positive focal length between +5 and +15, or between around +7 and +12, or between around +8 and +11, or about +9, or +9.2 or +9.3. The final four lenses, or the lens group G2, may have a combined positive focal length between +1 and +10, or between around +2 and +7, or between around +3 and +6, or between around +4 and +5, or approximately +4.5, or +4.7. The optical assembly illustrated schematically in FIG. 15 may have a ratio of total track length (TTL) to effective focal length (EFL) that is less than 8, or between 5 and 10, or between approximately 6 or 7 and 8 or 9, or between 7.2 and 7.7, or between 7.3 and 7.6, or between 7.4 and 7.5, or around 7.4 or 7.43. The TTL may be between 15 mm and 25 mm, or between 17 mm and 23 mm, or between 18 mm and 22 mm, or between 19 mm and 21 mm, or around 20 mm or 20.3 mm. The EFL may be between approximately 1.5 mm and 5 mm, or between about 2 mm and 3.5 mm or 4 mm, or between around 2.5 mm and 3 mm, or between around 2.7 mm and 2.8 mm, or around 2.73 mm.

Table 7 provides quantitative data for the third example embodiment. FIGS. 17-22 illustrate advantageous features of the optical assembly shown in schematic side view representation at FIG. 15. Table 8 shows aspherical and spherical SAG data for the thirteenth surface of the optical assembly of FIG. 15. These data may fit to a formula for SAG for a spherical conic section, e.g., $z(r) = r^2 / [R + (R^2 - r^2)^{1/2}]$, wherein for a best sphere of radius 8.330, as in an example embodiment, and a curvature of best sphere, R, corresponding to 0.120047, the different actual radii of curvature, r, for a surface with aspheric departure produce SAG differences compared to values for a true spherical conic section. These aspherical SAGs for an example thirteenth surface are compared with would be true spherical SAGs in Table 8 for different distances Y from the vertex center at Y=0 to Y=3.3 (mm) in steps of 0.132 (mm).

The aspheric sags in Table 9 that are plotted in FIG. 16 are the aspheric sag difference numbers shown in Table 8, which are the differences from the best fit sphere sags of the aspheric surface 13. Table 9 also shows values of aspheric slope that are plotted in FIG. 17.

FIG. 16 is a plot of aspheric sag versus radial distance, or the data provided in the second column from the left in Table 9, for the 13th optical surface from the object in the example optical assembly illustrated schematically in FIG. 15. The aspheric sag for the 13th surface in this example has a sag minimum between approximately -5 μm and -6 μm

between 1.5 mm and 2 mm from the center of the 13th lens surface. The sag is approximately zero at the center and is about -1 μm at the edge about 3 mm from the center. The sag plot has a width of approximately 1.5 mm at -3.0 μm . The sag has points of inflection at approximately 1.0 mm and 2.5 mm from the center of the 13th lens surface.

FIG. 17 is a plot of slope of aspheric sag versus radial distance, or the data provided in the fourth column from the left (or rightmost column) in Table 9, for the 13th optical surface in the example optical assembly illustrated schematically in FIG. 15. The aspheric slope has a minimum between -4 $\mu\text{m}/\text{mm}$ and -6 $\mu\text{m}/\text{mm}$ at about 1 mm from the center of the 13th lens surface. The aspheric slope has a maximum near the outer edge of the 13th lens surface around 2.5 mm from the center of between 6 $\mu\text{m}/\text{mm}$ and 8 $\mu\text{m}/\text{mm}$. The aspheric slope has points of inflection at around 0.5 mm and 2 mm from the center of the 13th lens surface.

FIGS. 18A-18E respectively show plots of tangential ray aberrations respectively at 75°, 55°, 35°, 15° and 0° for the wide field of view objective assembly illustrated in FIG. 15. FIGS. 18A-18E and 19A-19E show five pairs of graphs, where each pair illustrates the tangential and sagittal rays at one of these five field angles. The independent variable (horizontal axis) is the relative coordinate of a ray over the pupil diameter. The vertical axis has a maximum distance measure of +/-approximately three microns or a spread of six microns or less over a 150 degree field (which is clearly advantageous over a conventional system that may have, e.g., a 20 micron spread. The vertical axis therefore represents the transverse ray aberration (ray interception distance from the ideal focal point) of a ray passing through a specific relative pupil position. Graphs 18A-18E (tangential plane) and 19A-19E (sagittal plane) show the transverse ray aberrations for an on-axis ray bundle as the bundle is refracted through the lens elements of the optical assembly of FIG. 15.

In FIGS. 18E and 19E, the performance of the embodiment of FIG. 15 is illustrated for a ray bundle at zero degrees with the optical axis. Graphs 18D and 19D show the performance of the optical assembly of FIG. 15 for a ray bundle when the light source is moved providing an incident angle of 15 degrees with the optical axis. Graphs 18C and 19C show the performance of the optical assembly of FIG. 1 for a ray bundle when the light source is moved providing an incident angle of 35 degrees with the optical axis. Graphs 18B and 19B show the performance of the optical assembly of FIG. 15 for a ray bundle when the light source is moved providing an incident angle of 55 degrees with the optical axis. Graphs 18A and 19A show the performance of the optical assembly of FIG. 15 for a ray bundle when the light source is moved providing an incident angle of 75 degrees with the optical axis.

LCA is demonstrated in FIGS. 18A-18E as the separation of the three rays which correspond to four different colors or wavelengths, which are in this example 650 nm, 550 nm, 486 nm and 450 nm.

FIG. 20 illustrates the polychromatic diffraction modulation transfer function (MTF) plots of contrast vs. spatial frequency for pixels lying normal to the optical axis (F1), 15 degrees from normal to the optical axis (F2), 35 degrees from normal to the optical axis (F3), 55 degrees from normal to the optical axis (F4), and 75 degrees from normal to the optical axis (F5). Those pixels lying at 75 degrees from normal to the optical axis would be those at the edge of a point action camera or other digital video camera assembly having a field of view of 150 degrees. A point action camera or other digital video camera is provided herein having a wide field of view of 150 degrees or more. Advantageously

high areas under these curves are noticeable in FIG. 20. In accordance with FIGS. 18A-18E, the plots of FIG. 20 demonstrate that the image quality of the embodiment of FIG. 15 is advantageous.

FIG. 21 shows astigmatic field curves for tangential (e.g., vertical) fan (T) and sagittal (e.g., horizontal) fan (S) for the optical assembly illustrated schematically at FIG. 15 as well as the tangential fan (T') and sagittal fan (S') for a similar optical assembly except that the thirteenth optical surface has no aspheric departure. FIG. 21 shows that without the asphere, the residual field curvature ~ 0.25 mm in this example. With an aspheric departure in accordance with certain embodiments, e.g., on the thirteenth surface, such as has been described and illustrated in the example of FIG. 15, the longitudinal astigmatism reduces to less than 0.05 mm. That is, the field curvature is approximately flat, e.g., <50 microns, across the sensor format.

Fourth Example Embodiment

FIG. 22 schematically illustrates another optical assembly for a point action camera or other digital video camera in accordance with certain embodiments. The optical assembly of FIG. 22 includes a first optical group G1 and a second optical group G2 that are configured to provide a wide field of view with low distortion compared with conventional wide field of view systems. An advantageous bi-aspheric lens element is provided to correct astigmatism across the wide field of view, e.g., $>150^\circ$. Certain embodiments of the optical assembly according to the example illustrated at FIG. 22 include a single bi-aspheric lens element. In certain embodiments, the single bi-aspheric lens element is the only lens element of the lens elements of the optical assembly that has a non-negligible aspheric departure on either surface.

In certain embodiments of the optical assembly having a single bi-aspheric lens element, the field curvature is less than 75 microns, and a subset of these embodiments provides field curvatures that are less than 60 microns, and another subset provides images that exhibit field curvatures that are less than 50 microns. Certain subsets of embodiments have astigmatism across the wide field of view that is less than 7 mm, 5 mm, 3 mm, 2 mm and 1 mm. In certain embodiments, the ratio of total track length to effective focal length is less than 8.

Referring now to FIG. 22, The signs of the curvatures of the lens elements in the illustrative example are similar to those described above with reference to any of FIG. 1, 8 or 15, or combinations thereof, such that the above discussions are incorporated rather than repeated here. The position of the single bi-aspheric lens element may be as the ultimate or penultimate lens element on the image side or on the object side of the optical assembly, e.g., at E1, E2, E6 or E7, as the enhanced chief ray to marginal ray distances improve the versatility in astigmatism compensation performance of the bi-aspheric lens element. In single-aspheric lens element is selected in the example illustrated at FIG. 22 as the seventh and ultimate lens element labeled E7(A)(A) from object to image of the wide field of view optical assembly.

The lens assembly illustrated at FIG. 22 includes a doublet, whereby in this example, the 10th and 11th surfaces are not spaced apart but are instead combined together. The doublet E5/E6 advantageously facilitates the correction of oblique aberrations that may otherwise be present without the doublet E5/E6.

An aperture stop is provided between the lens groups G1 and G2, or between the third biconvex, or quasi-plano-convex or convexo-quasi-plano lens element E3 and the

concavo-convex meniscus, biconvex, plano or quasi-plano convex lens element E4. One or more further apertures may be included in certain alternative embodiments.

The first two convexo-concave collecting lens elements E1 and E2 may have an effective focal length between around -1 mm and -4 mm, or between around -1.5 mm and -3.5 mm, or between around -2 mm and -3 mm, or approximately -2.4 mm or -2.5 mm or -2.46 mm. The effective focal length of the lens element E3 may be between 4 mm and 12 mm, or between 5 mm and 11 mm, or between 6 mm and 10 mm, or between 7 mm and 9 mm, or approximately 8.1 mm. The overall effective focal length of the group G1 including lens elements E1, E2 and E3 may be between 1 mm and 5 mm, or between 1 mm and 4 mm, or between 1.5 mm and 3.5 mm, or between 2 mm and 3 mm, or between around 2.7 mm and 2.8 mm, or approximately 2.73 mm. The effective focal length of the second lens group G2 including lens elements E4, E5/E6 and E7(A)(A) in the example illustrated schematically in side view at FIG. 22 may be between 2 mm and 7 mm, or between 3 mm and 6 mm, or between 4 mm and 5 mm, or between 4.5 mm and 4.8 mm, or between 4.6 mm and 4.7 mm, or approximately 4.64 mm.

The ratio of total track length to effective focal length in this example may be less than 8, or approximately 7 or 7.5, or between 7 and 8, or less than about 7.8, 7.7, 7.6 or 7.5. The total track length may be approximately 20.5 mm and the effective focal length approximately 2.7 mm.

Table 10 provides a quantitative optical prescription of the surfaces of the optical elements of an optical assembly in accordance with one example of the system that is illustrated schematically at FIG. 22. The left most column indicates the number of the surface from the object to the image. The second column from the left indicates the radius of curvature of the surface. The third column from the left indicates the thickness or distance from the surface to the next surface travelling in a direction from object to image. The rightmost column indicates the index of refraction and the dispersion of the material selected for each optical element in this example.

The indices of refraction for the lens elements E1-E7(A)(A) are indicated in Table 10 as 1.73, 1.73, 1.92, 1.62, 1.92, 1.62, and 1.5, respectively, while the indices of refraction of the IR cut filter and the cover glass for the image sensor are each indicated as 1.52. The dispersion of the lens elements E1-E7(A)(A) are indicated in Table 10 as 55, 55, 19, 63, 19, 63 and 82, respectively, while the dispersion of the IR cut filter and cover glass are each indicated as 64.

The aspheric constants or coefficients A, B, C and D for the 13th and 14th surfaces, respectively, may be inserted into the aspheric equation provided at the top of each of Tables 11 and 12 to obtain a formula that describes the aspheric curvatures of these 13th and 14th surfaces in this example.

In a fourth example embodiment, another optical assembly for a point action camera or other digital video camera is configured for capturing images with a wide field of view and includes a single aspheric lens element, wherein the single aspheric lens element may be a bi-aspheric lens element, i.e., having two aspheric surfaces. In the fourth example embodiment, the optical assembly includes two or three optical groups as described with respect to the first, second and third example embodiments, e.g., including four, five, six or seven or more lens elements. In a seven lens element example, the seventh lens element is the only lens element having a significant aspheric departure. Each of the first through sixth lens elements in this example, from object to image, include approximately spherical surfaces within

optical tolerances, while the seventh lens element has both an aspheric object facing surface and an aspheric image facing surface. The overall design is configured to capture wide field of view images, e.g., exceeding 90 degrees, 120 degrees, 135 degrees, 150 degrees and in certain embodiment even 180 degrees or more with tolerable distortion characteristics. The aspheric departures of the 13th and 14th lens surfaces are configured to correct astigmatism error that would otherwise be present in the design.

Tables 11-12 and 13-14, respectively, show data for example aspheric departures for the 13th and 14th lens surfaces of a seventh lens element of a wide field of view optical assembly in accordance with certain embodiments that includes a single aspheric lens element. In this example, the radius of the seventh lens element is approximately just below 3 mm, and aspheric sags and sag slopes are indicated at radii from the center Y=0 in the Tables 11-14 in steps of 115 microns out to Y=2.875.

The second and third columns from the left in each of Tables 11-12 show the data for aspherical and spherical sags, respectively, for the 13th and 14th surfaces, respectively. The fourth column from left in Tables 11-12 show the data for aspheric sag of the 13th and 14th surfaces, respectively, as a distance between a plane normal to the optical axis that would include a point along the optical surface at the radius provided in the left-most column and a parallel plane that actually includes the point along the optical surface at that radius. The sag differences indicated in the fourth column from the left in Tables 11-12 manifest the aspheric departures of the 13th and 14th surfaces, respectively, from a best fit sphere. The data for the slope of the sags provided in the fourth column, or the derivative of the sag slope with respect to radius or height Y for the 13th and 14th surfaces in this example, are respectively provided in the Table 13-14.

FIG. 23 is a plot of aspheric sag versus radial distance, or the data provided in the fourth column from the left in Table 10, for the 13th optical surface from the object in the example optical assembly illustrated schematically in FIG. 22. The aspheric sag for the 13th surface in this example has a sag between approximately $-5 \mu\text{m}$ and $-6 \mu\text{m}$ at the center and at its outermost edge around 3 mm from the center of the 13th lens surface. The sag is less than -5 everywhere between 0.5 mm and 2.5 mm from the center. The sag plot has a width of approximately 1.5 mm at $-3.0 \mu\text{m}$. The sag has a maximum of 0 μm between 1.5 mm and 2.0 mm from the center. In one embodiment, the maximum sag is at 1.8 mm. A sag minimum is shown in FIG. 23 between 2.5 mm and 3.0 mm of approximately $-6 \mu\text{m}$. In one embodiment, the minimum sag is at a radial distance of about 2.8 mm from the center of the 13th lens surface. The sag has points of inflection at approximately 1.0 mm and 2.3 mm from the center of the 13th lens surface.

FIG. 24 is a plot of slope of aspheric sag versus radial distance, or the data provided in the fifth column from the left in Table 10, for the 13th optical surface in the example optical assembly illustrated schematically in FIG. 22. The aspheric slope has a maximum between 4 $\mu\text{m}/\text{mm}$ and 5 $\mu\text{m}/\text{mm}$ between 1.0 mm and 1.5 mm from the center of the 13th lens surface. The aspheric slope has a minimum of $-10 \mu\text{m}/\text{mm}$ at 2.5 mm from the center of the 13th lens surface. The aspheric slope rises to about 6 $\mu\text{m}/\text{mm}$ from 2.5 mm to the outer edge. The aspheric slope has points of inflection at around 0.5 mm and 2 mm from the center of the 13th lens surface.

The second and third columns from the left in Table 11 show the data for aspherical and spherical sags, respectively, for the 14th surface. The fourth column from left shows the

data for aspheric sag of the 14th surface as a distance between a plane normal to the optical axis that would include a point along the 14th optical surface at the radius provided in the left-most column and a parallel plane that actually includes the point along the 14th surface at that radius. The sag differences indicated in the fourth column from the left in Table 11 manifest the aspheric departure of the 14th surface from a best fit sphere. The data for the slope of the sags provided in the fourth column, or the derivative of the sag slope with respect to radius or height Y for the 14th surface in this example, are provided in the fifth column from the left in Table 11.

FIG. 25 is a plot of aspheric sag versus radial distance, or the data provided in the fourth column from the left in Table 11, for the 14th optical surface from the object, in the example optical assembly illustrated schematically in FIG. 22. The aspheric sag for the 14th surface in this example has a sag of approximately 0 μm at the center and at its outermost edge around 3 mm from the center of the 14th lens surface. The sag is positive everywhere between the center and the edge. The sag plot has a width of approximately 1.5 mm at 14 μm . The sag has a maximum of 28 μm at approximately 2 mm from the center. The sag has points of inflection between approximately 1.0 mm and 1.5 mm and between approximately 2.5 mm and 3 mm from the center of the 14th lens surface.

FIG. 26 is a plot of slope of aspheric sag versus radial distance, or the data provided in the fifth column from the left in Table 11, for the 14th optical surface from the object, in the example optical assembly illustrated schematically in FIG. 22. The aspheric slope has a maximum just above 20 $\mu\text{m}/\text{mm}$ between 1.0 mm and 1.5 mm from the center of the 14th lens surface. The aspheric slope has a minimum between $-40 \mu\text{m}/\text{mm}$ and $-50 \mu\text{m}/\text{mm}$ near the outermost edge of the 14th lens surface. The aspheric slope has points of inflection between around 0.5 mm and 1 mm and between 2 mm and 2.5 mm from the center of the 14th lens surface.

FIGS. 27A-27E and 28A-28E respectively show plots of tangential and sagittal ray aberrations for the wide field of view objective assembly illustrated in FIG. 22.

FIG. 29 illustrates diffraction modulation transfer function (MTF) plots of contrast vs. spatial frequency for tangential and sagittal rays impinging upon the optical assembly of FIG. 22 normal to the optical axis (F1), 15 degrees from normal to the optical axis (F2), 35 degrees from normal to the optical axis (F3), 55 degrees from normal to the optical axis (F4), and 75 degrees from normal to the optical axis (F5).

FIG. 30 shows astigmatic field curves for tangential fan (T) and sagittal fan (S) for the optical assembly illustrated schematically at FIG. 22 as well as the tangential fan (T') and sagittal fan (S') for a similar optical assembly except that the thirteenth optical surface has no aspheric departure.

Fifth Example Embodiment

FIGS. 31-39 and Tables 15-17 schematically illustrate and quantitatively describe a fifth example embodiment. Referring to the example optical assembly illustrated schematically in side view in FIG. 31 and as a ray trace layout in FIG. 32, and in the plots shown in FIGS. 33-39, and quantitatively at Tables 15-17, an optical assembly in accordance with certain embodiments may include a first lens group G1 and a second lens group G2 that are separated by an aperture stop. The first lens group G1 is disposed nearer to the object or scene that is being imaged than the second lens group G2. The second lens group G2 is disposed between the first lens

group G1 and the image plane. Together, the first and second optical groups G1 and G2 cover a wide field of view, i.e., 120 degrees or more, or in certain embodiment 130 degrees or more, while in other embodiments, the field of view of the optical assembly of FIGS. 31-38 and Tables 15-17 is 140 degrees or more, and even in certain embodiments significantly close to 180 degrees. A wide field of view optical assembly in accordance with the fifth example embodiment exhibits a low TV distortion that is less than 16%. There may be three (or more) lens groups or just two.

Generally speaking, the lens group G1 is configured to collect wide field rays, whereas the lens group G2 is configured to compensate for aberrations, and particularly distortion, astigmatism and oblique aberrations. In certain embodiments, the configuration includes contributions within the first lens group G1 to the correction or compensation of distortion, astigmatism and/or residual oblique aberrations. For example, in certain embodiments, such as that illustrated schematically at FIG. 31, four lenses of a first lens group include a biconvex ultimate lens element E4 that is configured to reduce residual oblique aberrations for the optical assembly.

In certain embodiments, the lens element E3 may include an aspheric lens surface for compensating aberrations. In certain embodiments, the lens element E3 may be the only lens element that has aspheric departure, and in other embodiments both the lens element E3 and the lens element E7 may have aspheric departure. Other embodiments include a different single aspheric lens element, such as E1 or E2, while other embodiments may include additional aspheric lens elements.

In the specific example that is illustrated schematically at FIGS. 31-38 and quantitatively described at Tables 15-17, the first lens group contains no aspheric surfaces. An aspheric surface is provided within the second lens group. In certain embodiments, the seventh, and ultimate, lens element of the second optical group is configured with an aspheric departure for compensating astigmatism. In alternative embodiments, a surface of a lens element of group G1 may have aspheric departure configured to assist in the correction of aberrations either instead of or in addition to the aspheric surface that is provided within the second lens group.

In certain embodiments, the lens elements of the optical assembly, that are disposed after the larger first lens element E1, each has an approximately same diameter, e.g., such as to fit within a lens barrel or other optical assembly housing of approximately constant inner cross dimension.

The optical assembly illustrated schematically at FIG. 31 exhibits a low distortion. In certain embodiments, the TV distortion is less than 16% for a wide field of view in excess of 120 degrees.

In the embodiment illustrated schematically at FIG. 31, the first lens group G1 includes four lenses from furthest to closest to the image plane, namely lens E1, lens E2, lens E3 and lens E4.

Lens E1 comprises a convexo-concave lens, or meniscus, in the example embodiment of FIG. 31. This means that the object facing surface of lens E1, which is the first surface of the optical assembly of the example embodiment of FIG. 31, has a convex shape tending to converge incident light, while the image facing surface of lens E1, which is the second surface of the optical assembly of FIG. 31, has a concave shape tending to diverge incident light. The lens E1 has a nominal overall optical power. This lens E1 may have an

extended radius outside of an active radius which assists and facilitates a wide field of view feature of the optical assembly of FIG. 31.

The physical dimensional characteristics of the lenses of the optical assemblies of the embodiments described herein generally permit configuring the wide field of view optical assembly within a lens barrel of a point action camera or other digital video camera and/or within a compact or miniature point action camera or other digital video camera. Specifically, the lenses E2-E7 are configured to fit within a lens barrel of approximately constant inner cross dimension. Although the lens E6 that is illustrated schematically at FIG. 31 has a smaller diameter than lenses E2-E5 and E7, the lens E6 is part of a doublet and is attached to the lens element E5. The lens E1 has a significantly larger diameter, i.e., compared with the approximately same diameters of the lenses E2-E5 and E7, which facilitates the capturing of an advantageously wide field of view.

The lens E1 may be fixed, i.e., relative to the image plane and other fixed elements of the system. Alternatively, the lens E1 may be movable to permit focusing by automatic or manual actuation using, e.g., a voice coil motor, piezo, or MEMS coupled to the lens E1. In this alternative embodiment, a feedback based on analysis of image data received at the image sensor by a processor, an image processor or an image signal processor (ISP). The first or second optical group may include one or more movable lenses, mirrors or other optics. In this context, a zoom feature may also be provided optically and/or electronically. Thus, embodiments of point action cameras or other digital video cameras described herein include fixed focus, autofocus and autofocus zoom point action cameras or other digital video cameras.

In certain embodiments, the lens E1 has an index of refraction at the sodium d line (i.e., 587.5618 nm) at around 1.77, or $n(\lambda_d) \approx 1.77$. The dispersion may be around 50. The lens E1 has little overall optical power, as mentioned, and serves primarily as a collecting lens that facilitates the wide field of view of the optical assembly.

Lens E1 has a larger diameter in order to collect rays at outer edges of a wide field of view and reduces the field angle for the subsequent lenses of the optical assembly. Lens group G1, and particularly lenses E1 and E2, generally serves to reduce the ray angle for the group G2 lens elements. The first two elements E1 and E2 of the first optical group G1 serve to reduce the ray angle for the lens elements E3 and E4, as well. Lens group G2 generally serves to correct distortion and astigmatism errors. The overall optical design of the first and second lens groups generally serve to provide low TV distortion of less than 16% for the wide field of view optical assembly of 120 degrees or more, while the aspheric thirteenth surface of the optical assembly of FIG. 31 generally serves to correct astigmatism.

The lens element E2 of the lens group G1 has a convexo-concave or plano-concave or quasi-plano-concave structure in the example of FIG. 31. In other words the object facing surface of the lens E2, which is the third surface of the optical assembly of FIG. 31, has a slightly or nominally convex or planar surface shape, while the image facing surface of the lens E2, or the fourth surface of the optical assembly of FIG. 31, has a concave shape tending to diverge incident light rays. The lens E2 has a negative overall focal length and serves as a diverging optical element. In certain embodiments, the lens E2 has an index of refraction at the sodium d line (i.e., 587.5618 nm) at around 1.62, or $n(\lambda_d) \approx 1.62$. The dispersion may be around 63.

The lens element E3 comprises a functionally converging optical element and has a biconvex or convexo-quasi-convex or convexo-planar structure in the illustrative example of FIG. 31. The object facing surface of the lens element E3, which is the fifth surface of the optical assembly that is illustrated schematically in the example embodiment of FIG. 31, is convex and tends to converge incident light. The image facing sixth surface of the optical assembly of this fifth example embodiment is illustrated as weakly convex in the example of FIG. 31. In certain embodiments, the lens E3 has an index of refraction at the sodium d line (i.e., 587.5618 nm) at around 1.92, or $n(\lambda_d) \approx 1.92$. The dispersion may be around 19.

The lens element E4 has a strongest positive optical power among the elements of group 1 in the example illustrated at FIG. 31. The lens element E4 is a biconvex lens which tends to converge incident light rays. The first lens element E1 and the fourth lens element E4 may be formed from the same material, i.e., the fourth lens element E4 may have a refractive index at the sodium line at around 1.92, while the dispersion may be around 19.

The lens group G1 has an overall positive focal length, e.g., in one embodiment $EFL(G1) \approx 4.190$ mm, and serves to collect and converge incoming light from an object, group of objects or a foreground, background or overall scene, including a wide field of view greater than 90 degrees in the horizontal and/or vertical dimensions, and in certain embodiments greater than 120 degrees, and typically 130-140 degrees or more in the horizontal and/or 110-120 degrees or more in the vertical. The first two lens elements E1 and E2 have a combined focal length in one example of around -2.7 mm, including a negative focal length of -5.5 mm for the first lens E1 and a negative focal length of -8.0 mm for the second lens E2, while the lens elements E3 and E4 provide positive optical power such that the overall focal length of the optical group G1 in the example of FIG. 31 is around +4.19 mm.

The rays received from the optical group G1 are further optically reduced by optical group G2, which has a positive focal length, e.g., in one embodiment $EFL(G2) \approx 12.525$ mm. Optical group G2 serves to correct distortion and astigmatism before images are captured by an image sensor of a point action camera or other digital video camera for viewing on a display, and/or for recording or storage or for data analysis, monitoring, security or surveillance and/or for transmission and/or image processing.

The lens group G1 may include two lenses or three lenses, or even one lens or five or more lenses. An aperture stop is disposed between the lens element E4 and the lens element E5/E6, which is a doublet in the example of FIG. 31. Alternatively, an aperture stop may be disposed between the lens groups G1 and G2, whatever number of optical elements each may comprise. An aperture stop may be located differently and there may be one or more additional apertures within the optical assembly. For example, an aperture stop may be placed between the lenses E2 and E3 and/or between the lenses E3 and E4. The lens element E4 or the lens elements E3 and E4 may form a third optical group G3.

The optical group G2 in the example of FIG. 31 includes two or three lens elements, depending on whether one considers a lens doublet to comprise a single lens element or two lens elements. The lens group G2 in the example of FIG. 31 includes lens doublet E5/E6 and lens E7(A).

The lens E5 has a biconcave shape while the lens E6 has a biconvex shape. The ninth and tenth surfaces of the optical assembly of FIG. 31, or both of the two surfaces of lens E5, have a concave shape tending to diverge incident light rays,

while the eleventh and twelfth surfaces of the optical assembly of FIG. 31, or both surfaces of the lens E6, have a convex shape tending to converge light. The twelfth surface of the optical assembly may be strongly convex and tend to relatively strongly converge incident light.

The lenses E5 and E6 are coupled together to form a doublet. In certain embodiments, the image facing surface of lens E5 and the object facing surface of the lens E6 are in direct contact. An adhesive or other standard process of coupling constituent lenses of a doublet may be used, which process may depend upon the materials of the constituent lenses E5 and E6. In certain embodiments, the lens E5 has an index of refraction at the sodium d line (i.e., 587.5618 nm) at around 1.76, or $n(\lambda_d) \approx 1.76$. The dispersion of lens E5 may be around 28. In certain embodiments, the lens E6 has $n(\lambda_d) \approx 1.62$. In certain embodiments, the lens E6 has a dispersion around 63. The doublet overall serves to configure the light rays before becoming incident upon the lens element E7(A). There is a significant advantage to the location of the doublet E5/E6 between E4 and E7. That is, this location facilitates the correction or compensation of oblique aberrations. Alternatively, the doublet may be disposed between lens E3 and lens E4.

The lens element E7(A) has a biconvex, or convexo-quasi-plano, or convexo-plano shape. The object facing surface of the lens E7(A), which is the thirteenth surface of the optical assembly of FIG. 31, has a strongly convex shape which relatively strongly converges incident light. The thirteenth surface of the optical assembly of FIG. 31 also has an aspheric departure in this example embodiment. The image facing surface of the lens E7(A), which is the fourteenth surface of the optical assembly of FIG. 31, has a slightly or nominally convex or planar shape.

Between the fourteenth surface of the optical assembly of FIG. 31 and the image plane are an IR filter and a cover plate. The IR filter serves to cut out infrared light that can otherwise interfere with the function of a silicon-based image sensor to collect visible image data. The cover plate serves to protect the image sensor from incident dust, water, oxygen or other corrosive or artifact producing elements that may be present in the ambient space surrounding the point action camera or other digital video camera. A separate baffle may be included to reduce the amount of stray light that may become otherwise incident upon the image sensor. Each of the seventh lens, the IR filter and the cover glass may comprise NBK7 Schott glass, such that each may have a refractive index around 1.52 and a dispersion around 64.

The aspheric departure of the thirteenth optical surface of the optical assembly in the example embodiment of FIG. 31 serves to advantageously significantly reduce astigmatism errors that would be otherwise inherent in a wide field of view system with TV distortion below 16% in accordance with embodiments described herein. Moreover, the advantageous design of the optical assembly of FIG. 31, and specifically of the second optical group G2, and more specifically of the lens element E7(A), and still more specifically of the object facing surface of the lens element E7(A) permits the optical assembly in this embodiment to have a more efficient manufacturability than conventional designs that contain multiple aspheric surfaces and/or multiple aspheric lenses and/or other optical elements that may be used to compensate astigmatism errors.

The optical assembly illustrated schematically at FIG. 31 has in certain embodiments an image diagonal to EFL ratio of around 2.46. The total track length of the example of FIG. 31 may be around 21.8 mm, such that the optical assembly exhibits a ratio of total track length to effective focal length

(TTL/EFL) of around 6.71 in glass or 6.58 in air. That is, the optical assembly advantageously has a TTL/EFL ratio than is less than 8, and is even less than 7.5, and is even less than 7, and is even less than 6.75 in glass or in air.

Table 15 generally discloses certain specifications of the example optical assembly that is represented schematically in side view in FIG. 31. Table 15 lists RDY, which is the radius of curvature of the optical surface. Table 15 lists TH1 which are the thicknesses of the lens elements and airspaces in sequential order from object end to image end of the optical assembly. The row 1 thickness describes the thickness of the first lens element E1 in this embodiment. The row 2 thickness describes the thickness of the spacing between the first lens element E1 and the second lens element E2. The spacing may include air, or for example dry air or nitrogen gas or vacuum or a noble gas, or a liquid such as water. The row 3 describes the thickness of the second lens element E2. The row 4 describes the air spacing between the second lens element E2 and third lens element E3 in this example. The row 5 describes the thickness of the third lens element E3. The row 6 describes the thickness of the spacing between the third lens element E3 and the fourth lens element E4. The row 7 describes the thickness of the fourth lens element E4. The row 8 describes the air spacing between the fourth lens element E4 and the aperture stop. The row STO describes the thickness of the air spacing between the aperture stop and the fifth lens element E5/E6. The row 10 describes the thickness of the fifth lens E5, which is part of a doublet E5/E6, or a pair of attached lenses not having any air space between them. The row 11 describes the thickness of the sixth lens element E6, which is the other part of the doublet E5/E6. There is no air thickness between the fifth and sixth lens elements described in the Table 1, because the fifth and sixth lens elements form a doublet in this example, wherein the tenth and eleventh surfaces of the optical assembly are substantially in contact with each other. The row 12 describes the air spacing between the sixth lens element E6 and the seventh lens element E7(A). The seventh lens element E7(A) may be considered to be the sixth lens element if one considers the doublet E5/E6 to be a single lens element. The row 13 describes the thickness of the seventh lens element E7(A). The row 14 describes the thickness of the spacing between the seventh lens element E7(A) and the IR cut filter. The row 15 describes the thickness of the IR cut filter. The row 16 describes the thickness of the IR cut filter. The row 17 describes the spacing thickness between the IR cut filter and the cover plate (e.g., glass or polymer) for the image sensor. The row 18 describes the thickness of the cover plate. The row 19 indicates that there is no spacing between the cover plate and the image sensor. The row IMG describes the image sensor plane.

Seven lens elements E1-E7(A) make up the example optical assembly that is illustrated schematically at FIG. 31, while a point action camera or other digital video camera or still camera includes the IR cut filter, cover glass and an image sensor packaged within a housing along with the optical assembly. The first four lens elements E1-E4 form a first optical group G1 (or E1-E2 form G1 and E3-E4 form a second optical group G2), while the final three lenses E5-E7(A), which may be considered two or three lens elements, form a second optical group G2 (or E5/E6 and E7(A) form a third optical group G3). In another configuration, the lens E4 may be considered to form a third optical group G3, while the lenses E1-E3 form a first optical group G1 and the lenses E5/E6 and E7(A) form a second optical group G2.

The radii of curvature are, in the single aspheric surface example, approximately, i.e., within manufacturing tolerances, the same everywhere along the optical surface for each of the first through twelfth and fourteenth lens surfaces of the optical assembly of FIG. 31. That is, the coefficients A thru E are each approximately zero for 13 out of 14 surfaces of the embodiment of FIG. 31 in the single aspheric surface example of a wide field of view optical assembly for a point action camera or other digital video camera or compact camera, or miniature camera module or other camera or camera module including a single aspheric lens element, or only one aspheric lens element, and exhibiting advantageously low distortion and low astigmatism. The departures from spherical of the thirteenth surface are represented in Table 15 as nonzero coefficients A-E, which correspond mathematically to the coefficients indicated in the formula that is provided above the Table 16 in the illustration.

This formula with the non-zero coefficients A-E as indicated in Table 15 represent the aspheric curvature of the surface 13 of the example optical assembly that is illustrated schematically in FIG. 31.

The specification data of Table 15 represent the first order software inputs to complete the optical model. FNO is F number and is approximately 2.7 in this example. DIM is the dimension which is mm. WL are the wavelengths which are in nanometers, and are 650 nm (red), 586 nm (yellow), 486 nm (blue) and 450 nm (violet) in this example. WTF is the spectral wavelength weighting.

Table 16 shows aspherical and spherical SAG data for the thirteenth surface of the example optical assembly of FIG. 31. These data may fit to a formula for SAG for a spherical conic section, e.g., $z(r)=r^2/[R+(R^2-r^2)^{1/2}]$, wherein for a best sphere of radius 7.562, as in an example embodiment, the different actual radii of curvature, r, for a surface with aspheric departure produce SAG differences compared to values for a true spherical conic section. These aspherical SAGs for an example thirteenth surface are compared with would be true spherical SAGs in Table 16 for different distances Y from the vertex center at Y=0 to Y=2.6 (mm) in steps of 0.104 (mm).

The aspheric sags in Table 17 that are plotted in FIG. 33 are the aspheric sag difference numbers shown in Table 16, which are the differences from the best fit sphere sags of the aspheric surface 13. Table 17 also shows values of aspheric slope that are plotted in FIG. 34.

FIG. 33 is a plot of aspheric sag versus radial distance, or the data provided in the second column from the left in Table 17, for the 13th optical surface from the object in the example optical assembly illustrated schematically in FIG. 31. The aspheric sag for the 13th surface in this example has a sag minimum between approximately -8 μm and -10 μm between 1.5 mm and 2.0 mm from the center of the 13th lens surface. The sag is approximately zero at the center and at the edge about 2.7 mm from the center. The sag plot has a width of approximately 3 mm at -4 μm . The sag has points of inflection at approximately 1 mm and 2.5 mm from the center of the 13th lens surface.

FIG. 34 is a plot of slope of aspheric sag versus radial distance, or the data provided in the fourth column from the left (or rightmost column) in Table 17, for the 13th optical surface in the example optical assembly illustrated schematically in FIG. 31. The aspheric slope has a minimum between -10 $\mu\text{m}/\text{mm}$ and -20 $\mu\text{m}/\text{mm}$ between 1 mm and 1.5 mm from the center of the 13th lens surface. The aspheric sag slope has a largest value at the outer edge of the 13th lens

surface of around 23 $\mu\text{m}/\text{mm}$. The aspheric slope has points of inflection at around 0.3 mm and 2.5 mm from the center of the 13th lens surface.

While the asphere may be disposed on other optical surfaces and/or on other lens elements even in another optical group in other embodiments, the 13th surface is selected in the embodiment illustrated by example in FIG. 31 at least in part due to the advantageous ratio of the chief ray and marginal ray heights at that location within the optical assembly. In certain embodiments, one or more of the 1st, 2nd, 3rd, 4th, 5th, 12th, 13th and/or 14th optical surface is/are selected to have aspheric departure over the 6th-11th surfaces in part due to the ratio of real chief and marginal ray heights, e.g., of about 2.8 or more, and because ratios nearer to one tend to provide reduced or even nominal aberrational correction, e.g., of astigmatism, when aspheric departure is accordingly provided in corresponding locations within the optical assemblies of such embodiments.

An image sensor, e.g., a charge coupled device (CCD) or a complementary metal oxide semiconductor (CMOS) device is disposed at the image plane in embodiments that include an assembled compact, miniature, point action or point of view camera. The optical assembly may be configured for later assembly with an image sensor. In this sense, the first and second optical groups may be manufactured or assembled separately and later combined, and in general, parts of the optical assembly or point action camera or other digital video camera may be separately manufactured or assembled and it is possible in certain embodiments to replace, restore or realign optical group G1, optical group G2 and/or certain other groups of one or more of the lenses or other optical components of the optical assembly or point action camera or other digital video camera.

FIG. 35 shows astigmatic field curves for tangential (e.g., vertical) fan (T) and sagittal (e.g., horizontal) fan (S) for the optical assembly illustrated schematically at FIG. 31 as well as the tangential fan (T') and sagittal fan (S') for a similar optical assembly except that the thirteenth optical surface has no aspheric departure. FIG. 35 shows that without the asphere, the longitudinal astigmatism (T'-S')=0.5 mm in this example. With an aspheric departure in accordance with certain embodiments, e.g., on the thirteenth surface, such as has been described and illustrated in the example of FIG. 31, the longitudinal astigmatism reduces to approximately zero. Moreover, the field curvature is approximately flat, e.g., <50 microns, across the sensor format.

FIG. 36 illustrates a corrected distortion grid for the optical assembly of FIG. 31.

FIGS. 37A-37E respectively show plots of tangential ray aberrations respectively at 75°, 55°, 35°, 15° and 0° for the wide field of view objective assembly illustrated in FIG. 31. FIGS. 37A-37E and 38A-38E show five pairs of graphs, where each pair illustrates the tangential and sagittal rays at one of these five field angles. The independent variable (horizontal axis) is the relative coordinate of a ray over the pupil diameter. The vertical axis has a maximum distance measure of +/- approximately 0.45 microns or a spread of nine microns or less over a 150 degree field (which is clearly advantageous over a conventional system that may have, e.g., a 20 micron spread. The vertical axis therefore represents the transverse ray aberration (ray interception distance from the ideal focal point) of a ray passing through a specific relative pupil position. Graphs 37A-37E (tangential plane) and 38A-38E (sagittal plane) show the transverse ray aberrations for an on-axis ray bundle as the bundle is refracted through the lens elements of the optical assembly of FIG. 31.

In FIGS. 37E and 38E, the performance of the embodiment of FIG. 31 is illustrated for a ray bundle at zero degrees with the optical axis. Graphs 37D and 38D show the performance of the optical assembly of FIG. 31 for a ray bundle when the light source is moved providing an incident angle of 15 degrees with the optical axis. Graphs 37C and 38C show the performance of the optical assembly of FIG. 31 for a ray bundle when the light source is moved providing an incident angle of 35 degrees with the optical axis. Graphs 37B and 38B show the performance of the optical assembly of FIG. 31 for a ray bundle when the light source is moved providing an incident angle of 55 degrees with the optical axis. Graphs 37A and 38A show the performance of the optical assembly of FIG. 31 for a ray bundle when the light source is moved providing an incident angle of 75 degrees with the optical axis.

LCA is demonstrated in FIGS. 37A-37E as the separation of the three rays which correspond to four different colors or wavelengths, which are in this example 650 nm, 550 nm, 486 nm and 450 nm.

FIG. 39 illustrates the polychromatic diffraction modulation transfer function (MTF) plots of contrast vs. spatial frequency for pixels lying normal to the optical axis (F1), 17.5 degrees from normal to the optical axis (F2), 35 degrees from normal to the optical axis (F3), 52.5 degrees from normal to the optical axis (F4), and 70 degrees from normal to the optical axis (F5). Those pixels lying at 70 degrees from normal to the optical axis would be those at the edge of a point action camera or other digital video camera or miniature camera module having a field of view of 140 degrees. A point action camera or other digital video camera or miniature camera is provided herein having a wide field of view of 120-140 degrees or more. Advantageously high areas under these curves are noticeable in FIG. 39. In accordance with FIGS. 37A-37E, the plots of FIG. 39 demonstrate that the image quality of the embodiment of FIG. 31 is advantageously high.

An optical design in accordance with the fifth example embodiment exhibits an advantageous ratio of total track length to effective focal length, or TTL/EFL<8, and even TTL/EFL<7. The specific example illustrated schematically in FIG. 31 has a calculated TTL to EFL ratio of 6.58 in air, i.e., in physical geometrical units for the track and focal lengths, i.e., where the unity index of refraction or $n=1$ is used throughout in the calculation. This example ratio can also be calculated optically by taking into account the indices of refraction of the glasses, polymers and/or other solid, liquid and/or gaseous materials of the cover plate element. When the TTL/EFL ratio is calculated optically as an optical track length over an optical focal length that takes into account the index of refraction of the material that forms the cover glass element (otherwise sometimes deemed part of a separate image sensor component to be coupled to the optical assembly), then the ratio is calculated to be approximately 6.71, which is based on an optical track length of 21.8 mm and an optical focal length of 3.25 mm.

The optical assembly of the first example embodiments illustrated schematically in side view at FIG. 31 exhibits a ratio of TTL/EFL that is less than 8 and even less than 7 and close to approximately 6.5. The embodiment of FIG. 31 has a ratio of TTL/EFL that is less than 6.58 in air. The specific TTL/EFL ratio of 6.58 for the specific non-limiting example embodiment illustrated at FIG. 31 is based on total track lengths typically between 18 and 26 and on effective focal lengths typically between 3.0 and 3.5. An effective focal length of the first group G1 that includes the first four lens elements E1, E2, E3 and E4 may be between approximately

-2 and -6, or between -3 and -5, or between approximately 3.5 and 4.5, or approximately -4.2 or 4.19. Among the lens elements of the first group G1, the first two lens elements E1 and E2 may have a combined focal length between -1 and -4, or between -1.5 and -3.5, or between -2 and -3, or around -2.7. The lens Group G2 including the lenses E5/E6 and E7(A) may have an effective focal length between +8 and +17, or between +10 and +15, or between +11 and +14, or between +12 and +13 or around +12.5 or 12.52 or around +12.525.

GENERAL DISCUSSION

Yet greater dynamic capacities in the process of building a point action camera or other digital video camera with both wide field of view and heretofore unknown reduction in distortion, astigmatism and combinations of these optical aberrations that have been otherwise problematic in conventional wide field of view systems is provided herein with optical assemblies in accordance with multiple embodiments that contain only one aspheric lens element, e.g., lens element E1 or E2 of the first lens group G1 or lens element E5/E6, E6 or E7 of the lens group G2 in combination with five or six lens elements that have spherical curvatures to understood tolerances. One or both surfaces of the single aspheric lens element of these embodiments may have significant calculated aspheric departure, while the other lens elements are spheres (or in other embodiments cylinders or a combination of cylinders and spheres).

Example embodiments have been provided above wherein only one optical surface within the optical assembly has a specifically-intended and advantageous aspheric departure. In the embodiments illustrated schematically in side view in FIGS. 1 and 9, five or six lens elements, depending on how the E5/E6 doublet is characterized, do not have departures from spherical (i.e., at least none that exceed specified optical tolerances).

In another set of embodiments, one or more aspheric lens element is/are provided in the first lens Group G1. For example, lens element E1 and/or E2 may have one or more surfaces with aspheric departures that serve to reduce astigmatism in a wide field of view point action camera or other digital video camera system that is also or already configured with significantly reduced distortion characteristics, particularly at the edges of the field of view (e.g., 50°, 55°, 60°, 65°, 70°, or 75° or more from normal to the optical axis), where conventional uncorrected wide field of view systems tend to exhibit unacceptably high combinations of either or both of distortional and astigmatic aberrations. In certain embodiments, only lens element E1 or lens element E2 has one or both surfaces that exhibit calculably advantageous aspheric departures.

In specific embodiments, only a single surface, e.g., the 1st, 2nd, 3rd or 4th surface, of the optical assembly has aspheric departure that provides a point action camera or other digital video camera with a wide field of view along with unprecedented reductions in distortional, astigmatic or combinational aberrations that would be otherwise inherent in less thorough designs, in designs without any aspheric surface or surfaces and/or in designs without the specific optical design shape and/or aberrational error correctional characteristics provided herein. In a specific alternative embodiment, only the first lens surface of the optical assembly, or the surface of lens E1 that faces the object, includes demonstrated and advantageously significant aspheric departure. In another embodiment, the image facing surface of lens E1 has a uniquely aspherical attributional curvature

characteristic within the optical assembly of a wide field of view point action camera or other digital video camera.

Alternative embodiments have a single aspheric surface within the lens group G2 at the twelfth lens surface or image facing surface of the lens E6 (or E6(A) in this alternative embodiment) which is the image-side lens of the doublet E5/E6. Another alternative to having aspheric departure on the thirteenth surface (as in the above illustrated examples) is to instead provide aspheric curvature on the fourteenth lens surface, which is the image facing surface of the lens E7(A). Other surfaces of the lens group G2 such as the seventh through eleventh surfaces of the optical assemblies illustrated in FIGS. 1 and 9 could also have aspheric departures that could benefit, albeit to a lesser extent than the aforementioned 12th, 13th and/or 14th optical surfaces of lens group G2, the versatility and optical design characteristics of an optical assembly of a point action camera or other digital video camera.

While an exemplary drawings and specific embodiments of the present invention have been described and illustrated, it is to be understood that that the scope of the present invention is not to be limited to the particular embodiments discussed. Thus, the embodiments shall be regarded as illustrative rather than restrictive, and it should be understood that variations may be made in those embodiments by workers skilled in the arts without departing from the scope of the present invention.

In addition, in methods that may be performed according to preferred embodiments herein and that may have been described above, the operations have been described in selected typographical sequences. However, the sequences have been selected and so ordered for typographical convenience and are not intended to imply any particular order for performing the operations, except for those where a particular order may be expressly set forth or where those of ordinary skill in the art may deem a particular order to be necessary.

A group of items linked with the conjunction "and" in the above specification should not be read as requiring that each and every one of those items be present in the grouping in accordance with all embodiments of that grouping, as various embodiments will have one or more of those elements replaced with one or more others. Furthermore, although items, elements or components of the invention may be described or claimed in the singular, the plural is contemplated to be within the scope thereof unless limitation to the singular is explicitly stated or clearly understood as necessary by those of ordinary skill in the art.

The presence of broadening words and phrases such as "one or more," "at least," "but not limited to" or other such as phrases in some instances shall not be read to mean that the narrower case is intended or required in instances where such broadening phrases may be absent. The use of the term "assembly" does not imply that the components or functionality described or claimed as part of the assembly are all configured in a common package. Indeed, any or all of the various components of an assembly, e.g., optical group 1 and optical group 2, may be combined in a single package or separately maintained and may further be manufactured, assembled or distributed at or through multiple locations.

Different materials may be used to form the lenses of the optical assemblies of the several embodiments. For example, various kinds of glass and/or transparent plastic or polymeric materials may be used. Examples include polyimides. Among the polymeric materials are high refractive index polymers, or HRIPs, with refractive indices typically above 1.5 (see, e.g., Hung-Ju Yen and Guey-Sheng Liou (2010). "A

facile approach towards optically isotropic, colorless, and thermoplastic polyimidothioethers with high refractive index". *J. Mater. Chem.* 20 (20): 4080; H. Althues, J. Henle and S. Kaskel (2007). "Functional inorganic nanofillers for transparent polymers". *Chem. Soc. Rev.* 9 (49): 1454-65; Akhmad Herman Yuwono, Binghai Liu, Junmin Xue, John Wang, Hendry Izaac Elim, Wei Ji, Ying Li and Timothy John White (2004). "Controlling the crystallinity and nonlinear optical properties of transparent TiO₂-PMMA nanohybrids". *J. Mater. Chem.* 14 (20): 2978; Naoaki Suzuki, Yasuo Tomita, Kentaroh Ohmori, Motohiko Hidaka and Katsumi Chikama (2006). "Highly transparent ZrO₂ nanoparticle-dispersed acrylate photopolymers for volume holographic recording". *Opt. Express* 14 (26): 012712, which are incorporated by reference.

Optical image stabilization techniques may be included in a point action camera or other digital video camera in accordance with certain embodiments. For examples, techniques described at U.S. Pat. Nos. 8,649,628, 8,649,627, 8,417,055, 8,351,726, 8,264,576, 8,212,882, 8,593,542, 8,509,496, 8,363,085, 8,330,831, 8,648,959, 8,637,961, 8,587,666, 8,604,663, 8,521,017, 8,508,652, 8,358,925, 8,264,576, 8,199,222, 8,135,184 and 8,184,967, and US published patent applications nos. 2012/0121243, 2012/0207347, 2012/0206618, 2013/0258140, 2013/0201392, 2013/0077945, 2013/0076919, 2013/0070126, 2012/0019613, 2012/0120283, and 2013/0075237 which are hereby incorporated by reference, may be used.

Additionally, the various embodiments set forth herein are described in terms of exemplary schematic diagrams and other illustrations. As will be apparent to one of ordinary skill in the art after reading this document, the illustrated embodiments and their various alternatives may be implemented without confinement to the illustrated examples. For example, schematic diagrams and their accompanying description should not be construed as mandating a particular architecture or configuration.

Point action camera or other digital video cameras in accordance with several further embodiments are described herein. Several examples of point action camera or other digital video cameras that can be efficiently manufactured are illustrated in the text with reference to accompanying drawings. Certain optical parts of the point action camera or other digital video camera such as one or more lenses, mirrors and/or apertures, a shutter, a housing or barrel for holding certain optics, a lens or a lens barrel, or other optic such as a mirror, light source, secondary sensor, accelerometer, gyroscope, power connection, a data storage chip, a microprocessor, a wired or wireless transmission/reception connection and/or receiver/transmitter, or housing alignment and/or coupling pins or recesses or other such structures may be included in certain embodiments even if they have not been specifically described or illustrated herein. It is noted that in certain embodiments, a shutter is included, while in other embodiments, the point action camera or other digital video camera does not have a shutter. A flash may or may not be included in any of these camera embodiments.

In certain embodiments, a wide field of view is desired in only a single dimension. In such cases, the principles described herein can be reduced to cylindrical applications of any of the spherical examples provided.

In addition, all references cited above and below herein, as well as the background, invention summary, abstract and brief description of the drawings, are all incorporated by reference into the detailed description of the preferred embodiments as disclosing alternative embodiments. Several embodiments of point action camera or other digital

video cameras have been described herein and schematically illustrated by way of example physical, electronic and optical architectures. Other point action camera or other digital video camera embodiments and embodiments of features and components of point action camera or other digital video cameras that may be included within alternative embodiments, may be described at one or a combination of U.S. Pat. Nos. 5,882,221; 6,583,444; 6,844,991; 6,888,168; 7,095,054; 7,224,056; 7,368,695; 7,443,597; 7,449,779; 7,566,853; 7,569,424; 7,593,636; 7,683,468; 7,747,155; 7,768,574; 7,807,508; 7,858,445; 7,920,163; 7,927,070; 7,935,568; 7,936,062; 8,004,780; 8,005,268; 8,014,662; 8,090,252; and/or 8,119,516; and/or US published patent applications nos. 2013/0270419, 2013/0258140, 2014/0028887, 2014/0043525, 2012/0063761, 2011/0317013, 2011/0255182, 2011/0274423, 2010/0053407, 2009/0212381, 2009/0023249, 2008/0296717, 2008/0099907, 2008/0099900, 2008/0029879, 2007/0190747, 2007/0190691, 2007/0145564, 2007/0138644, 2007/0096312, 2007/0096311, 2007/0096295, 2005/0095835, 2005/0087861, 2005/0085016, 2005/0082654, 2005/0082653, and/or 2005/0067688. All of these patents and published patent applications are incorporated by reference.

U.S. Pat. Nos. 7,593,636; 7,768,574; 7,807,508 and 7,244,056 which are incorporated by reference describe examples of structures where the electrical height of a camera device is nested within the optical height to decrease the physical height. An advantageously compact point action camera or other digital video camera is provided herein in alternative embodiments. Point action camera or other digital video cameras that have an advantageously low ratio of optical length (or physical size or height) to effective focal length, or TTL/EFL, are provided herein. In specifically described examples, optical assemblies with TTL/EFL ratios below 8.0 are provided.

US2013/0242080 which is also incorporated by reference describes examples of point action camera or other digital video cameras or camera modules disposed within watertight compartments. A mechanism may be provided for optical and/or electrical communication of image data that does not involve breaking the watertight seal of the housing within which the point action camera or other digital video camera resides.

What is claimed is:

1. An optical assembly for a point action camera having a wide field of view, comprising:
 - multiple lens elements, including an aspheric surface, configured to provide a field of view in excess of 120 degrees that comprises a ratio of "total track length" to "effective focal length" that is less than 7, wherein total track length (hereinafter "TTL") is defined as total distance from a first surface of a first lens of the optical assembly to an image plane, and effective focal length (hereinafter "EFL") is defined as optical focal length of the optical assembly; and
 - wherein the optical assembly comprises from object end to image end a first optical group, an aperture stop and a second optical group; and
 - wherein the first optical group comprises three or four lenses and is configured to collect light at said wide field of view and said second optical group comprises three lenses and is configured to compensate for astigmatism error; and
 - wherein said second optical group is further configured to compensate for distortion error; and

57

wherein said second optical group comprises an ultimate or penultimate lens that is configured with an aspheric departure to compensate for said astigmatism error; and wherein said optical assembly comprises seven lenses, wherein said second optical group comprises from object side to image side, a doublet and a singlet, wherein said doublet comprises, from object side to image side, a biconcave lens and a biconvex lens.

2. The optical assembly of claim 1, wherein said TTL/EFL ratio is not more than 6.71 in air.

3. The optical assembly of claim 2, wherein said TTL is not more than 21.8 mm.

4. The optical assembly of claim 2, wherein said EFL is not more than 3.25 mm.

5. The optical assembly of claim 1, wherein said TTL/EFL ratio is not more than 6.58 in glass.

6. The optical assembly of claim 1, wherein said ultimate lens comprises said aspheric departure.

7. The optical assembly of claim 6, wherein said ultimate lens comprises an object facing side and an image facing side, and wherein said object facing side comprises said aspheric departure.

8. The optical assembly of claim 1, wherein said first optical group comprises two or more convexo-concave or meniscus lenses.

9. The optical assembly of claim 1, further comprising a third optical group disposed between the first and second optical groups, and wherein the first optical group comprises three lenses.

10. The optical assembly of claim 9, wherein the third optical group comprises a biconvex lens.

11. An optical assembly for a point action camera having a wide field of view, comprising:
 multiple lens elements, including an aspheric surface, configured to provide a field of view in excess of 120 degrees that comprises a ratio of “total track length” to “effective focal length” that is less than 7, wherein total track length (hereinafter “TTL”) is defined as total distance from a first surface of a first lens of the optical assembly to an image plane, and effective focal length (hereinafter “EFL”) is defined as optical focal length of the optical assembly; and
 wherein the optical assembly comprises from object end to image end a first optical group, an aperture stop and a second optical group; and
 wherein the first optical group comprises three or four lenses and is configured to collect light at said wide field of view and said second optical group comprises three lenses and is configured to compensate for astigmatism error; and
 wherein said second optical group is further configured to compensate for distortion error; and
 wherein said second optical group comprises an ultimate or penultimate lens that is configured with an aspheric departure to compensate for said astigmatism error; and
 wherein said optical assembly comprises seven lenses, wherein said first optical group comprises two or more convexo-concave or meniscus lenses,
 wherein said first optical group further comprises first and second biconvex lenses.

12. The optical assembly of claim 11, wherein said second optical group comprises from object side to image side, a doublet and a singlet.

13. The optical assembly of claim 11, wherein said TTL/EFL ratio is not more than 6.71 in air.

14. The optical assembly of claim 13, wherein said TTL is not more than 21.8 mm.

58

15. The optical assembly of claim 13, wherein said EFL is not more than 3.25 mm.

16. The optical assembly of claim 11, wherein said TTL/EFL ratio is not more than 6.58 in glass.

17. The optical assembly of claim 11, wherein said ultimate lens comprises said aspheric departure.

18. The optical assembly of claim 17, wherein said ultimate lens comprises an object facing side and an image facing side, and wherein said object facing side comprises said aspheric departure.

19. A digital point action camera, comprising:
 an optical assembly having a wide field of view, comprising:
 multiple lens elements, including an aspheric surface, configured to provide a field of view in excess of 120 degrees that comprises a ratio of “total track length” to “effective focal length” that is less than 7, wherein total track length (hereinafter “TTL”) is defined as total distance from a first surface of a first lens of the optical assembly to an image plane, and effective focal length (hereinafter “EFL”) is defined as optical focal length of the optical assembly; and
 wherein the optical assembly comprises from object end to image end a first optical group, an aperture stop and a second optical group; and
 wherein the first optical group comprises three or four lenses and is configured to collect light at said wide field of view and said second optical group comprises three lenses and is configured to compensate for astigmatism error; and
 wherein said second optical group is further configured to compensate for distortion error; and
 wherein said second optical group comprises an ultimate or penultimate lens that is configured with an aspheric departure to compensate for said astigmatism error; and
 wherein said optical assembly comprises seven lenses; and
 wherein said second optical group comprises from object side to image side, a doublet and a singlet, wherein said doublet comprises, from object side to image side, a biconcave lens and a biconvex lens, and
 an image sensor disposed approximately at a focal plane of the optical assembly; and
 a digital camera housing including electronics and a user interface, and containing said optical assembly and said image sensor in optically effective relative disposition.

20. The digital point action camera of claim 19, wherein said TTL/EFL ratio is not more than 6.71 in air.

21. The digital point action camera of claim 19, wherein said TTL/EFL ratio is not more than 6.58 in glass.

22. The digital point action camera of claim 21, wherein said TTL is not more than 21.8 mm.

23. The digital point action camera of claim 21, wherein said EFL is not more than 3.25 mm.

24. The digital point action camera of claim 19, wherein said ultimate lens comprises said aspheric departure.

25. The digital point action camera of claim 24, wherein ultimate lens comprises an object facing side and an image facing side, and wherein said object facing side comprises said aspheric departure.

26. The digital point action camera of claim 19, wherein said first optical group comprises two or more convexo-concave or meniscus lenses.

59

27. The digital point action camera of claim 19, further comprising a third optical group disposed between the first and second optical groups, and wherein the first optical group comprises three lenses.

28. The digital point action camera of claim 27, wherein the third optical group comprises a biconvex lens.

29. A digital point action camera, comprising:
an optical assembly having a wide field of view, comprising:

multiple lens elements, including an aspheric surface, configured to provide a field of view in excess of 120 degrees that comprises a ratio of “total track length” to “effective focal length” that is less than 7, wherein total track length (hereinafter “TTL”) is defined as total distance from a first surface of a first lens of the optical assembly to an image plane, and effective focal length (hereinafter “EFL”) is defined as optical focal length of the optical assembly; and

wherein the optical assembly comprises from object end to image end a first optical group, an aperture stop and a second optical group; and

wherein the first optical group comprises three or four lenses and is configured to collect light at said wide field of view and said second optical group comprises three lenses and is configured to compensate for astigmatism error; and

wherein said second optical group is further configured to compensate for distortion error; and

wherein said second optical group comprises an ultimate or penultimate lens that is configured with an aspheric departure to compensate for said astigmatism error; and

60

wherein said optical assembly comprises seven lenses; and

wherein said first optical group comprises two or more convexo-concave or meniscus lenses,

wherein said first optical group further comprises first and second biconvex lenses, and

an image sensor disposed approximately at a focal plane of the optical assembly; and

a digital camera housing including electronics and a user interface, and containing said optical assembly and said image sensor in optically effective relative disposition.

30. The digital point action camera of claim 29, wherein said second optical group comprises from object side to image side, a doublet and a singlet.

31. The digital point action camera of claim 29, wherein said TTL/EFL ratio is not more than 6.71 in air.

32. The digital point action camera of claim 31, wherein said TTL is not more than 21.8 mm.

33. The digital point action camera of claim 31, wherein said EFL is not more than 3.25 mm.

34. The digital point action camera of claim 29, wherein said TTL/EFL ratio is not more than 6.58 in glass.

35. The digital point action camera of claim 29, wherein said ultimate lens comprises said aspheric departure.

36. The digital point action camera of claim 35, wherein ultimate lens comprises an object facing side and an image facing side, and wherein said object facing side comprises said aspheric departure.

* * * * *